

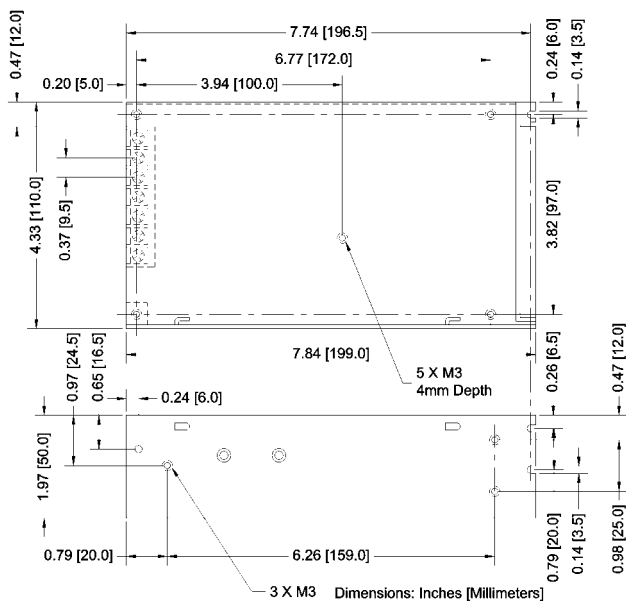
SPECIFICATION

MODEL	INPUT VOLTAGE VAC 47-63 HZ	OUTPUT VOLTAGE VDC	DC OUTPUT POWER WATTS	OUTPUT CURRENT AMPS.	WEIGHT LBS.	WORKING TEMPERATURE °C 20-90%RH	DIMENSIONS L X W X H INCHES
AS150F-12	88-132 OR 176-264*	12	150	12.5	1.76	-10 - 60	7.96X4.4X2
AS150F-24	88-132 OR 176-264*	24	150	6.5	1.76	-10 - 60	7.96X4.4X2
SP300-12	90-264	12	300	24	2.6	-10 - 50	8.6X4.6X2
SP300-24	90-264	24	300	12.5	2.6	-10 - 50	8.6X4.6X2
SP500-24	90-264	24	500	20.8	3.3	0 - 70	9.2X4.25X2.5
SP800-24	90-264	24	800	33	3.3	0 - 70	9.2X4.25X2.5

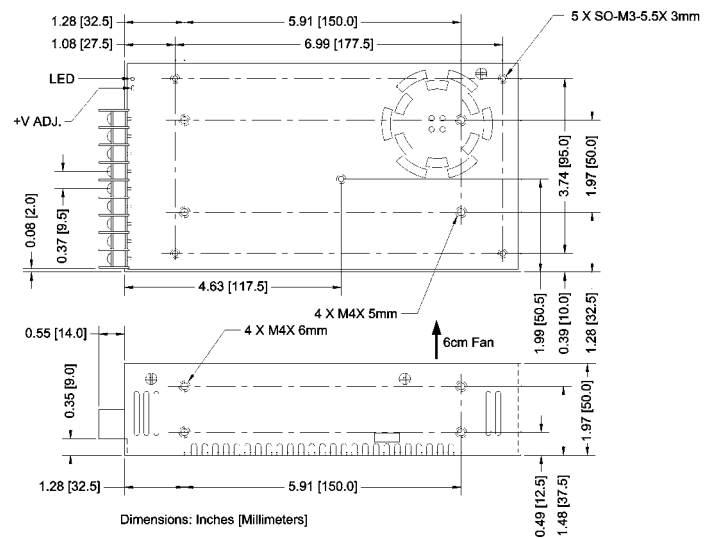
* Input voltage range is switch selectable.

DIMENSIONS

AS-150F



SP-300



SP-500, SP-800

