

# EH-2000/4000

# Enclosure Heater

Enclosure Heaters  
Internal Mounted

120 VAC, 240 VAC  
200 Watts, 400 Watts

## ENCLOSURE HEATERS

TECA Enclosure heaters are the easiest and most cost effective way to add needed heat to enclosures.

These heaters come in 120 VAC and 240 VAC configurations in both 200 WATTS and 400 WATTS versions.

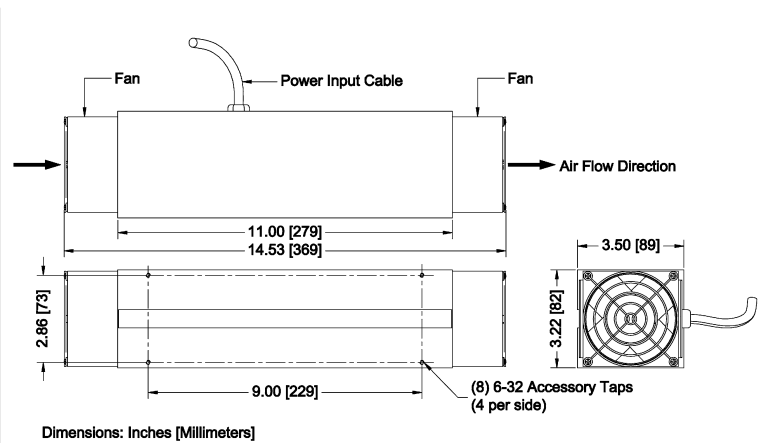
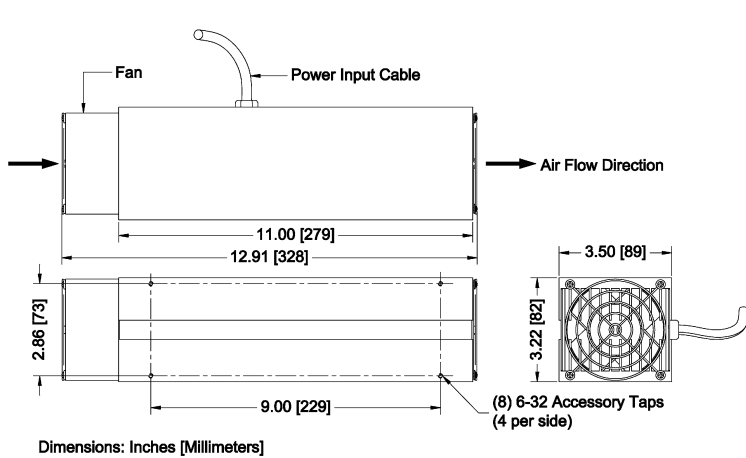
The integral thermostat reduces the complexity and the integral overheat safety ensures that the temperature rise is kept within safe margin.

## FEATURES

- Power input cord
- Integral fan(s)
- Integral thermostatic control (temperature = 15 °C)
- Overheat safety circuit (temperature = 75 °C)
- Accessory threaded holes for installation



## DIMENSIONS



## SPECIFICATIONS

MODEL	NOTES	POWER RATING WATTS	VOLTAGE VAC 50/60 HZ	CURRENT AMPS.	WEIGHT LBS. (kg)	TEMP. CONTROL	OVERHEAT SAFETY
EH-2001	Single Fan	200	120	1.7	7 (3.2)	15 °C	75 °C
EH-2002	Single Fan	200	240	0.83	7 (3.2)	15 °C	75 °C
EH-4001	Dual Fan	400	120	3.4	7 (3.2)	15 °C	75 °C
EH-4002	Dual Fan	400	240	1.7	7 (3.2)	15 °C	75 °C