

AHP-301FF Air Conditioner

Air Cooled
Through Mounted
NEMA-12

120/240 VAC input
180 BTU/HR



FEATURES

- Compact (only 10" L X 5.52" W X 7.83" D)
- Mounts and operates in any orientation: horizontal, vertical, etc.
- Low vibration and noise
- No moving parts except fans
- Environmentally safe
- Dual voltage (jumper selectable)
- No compressor, fluorocarbons or filters
- Virtually maintenance-free operation
- Stainless steel exterior housing
- Operating ambient temperature range -10/+70 °C
- Operating enclosure temperature range -10/+60 °C
- Weight 12 LBS.

POWER INPUTS

Voltage	120/240 VAC
Current, Active	1.4/0.70 AMPS

CONTROL TEMPERATURES

Temp. Control	Active Heat °C	ECO-Mode °C	Active Cool °C
TC-1F	-	-	35
TC-6F	-	-	25 or 35
TC-3F	10	-	35

PERFORMANCE RATINGS

Cooling (Traditional)	180 BTU/HR
Cooling (Din 3168)	52 WATTS
Cooling COP (at L35 L35)	0.36

INCLUDES

- Integral 120/240 VAC power supply
- Mounting gasket
- Mounting hardware
- Power input cord

CONFIGURATIONS

MODEL	PART NUMBER	NOTES	TEMPERATURE CONTROL	ENVIRONMENT
AHP-301FF	0-7091-0-000	Cool only, industrial fans	None	NEMA-12
AHP-301FF	0-70F1-0-000	Cool only, industrial fans	TC-1F	NEMA-12
AHP-301FF	0-7081-0-000	Cool only, industrial fans	TC-6F	NEMA-12
AHP-301FF	0-7051-0-000	Cool only, industrial fans	EXT*	NEMA-12
AHP-301FFHC	0-7031-1-000	Heat/Cool , industrial fans	TC-3F	NEMA-12
AHP-301FFHC	0-7051-1-000	Heat/ Cool, industrial fans	EXT*	NEMA-12

* Unit is set for 5-32 VDC external signal; relay(s) included

AHP-301FF

MOUNTING STYLE

Through Mounted

ENVIRONMENTS SERVED

NEMA-12 IP 52

RATING (TRADITIONAL)

180 BTU/hr @ 0 °F ΔT

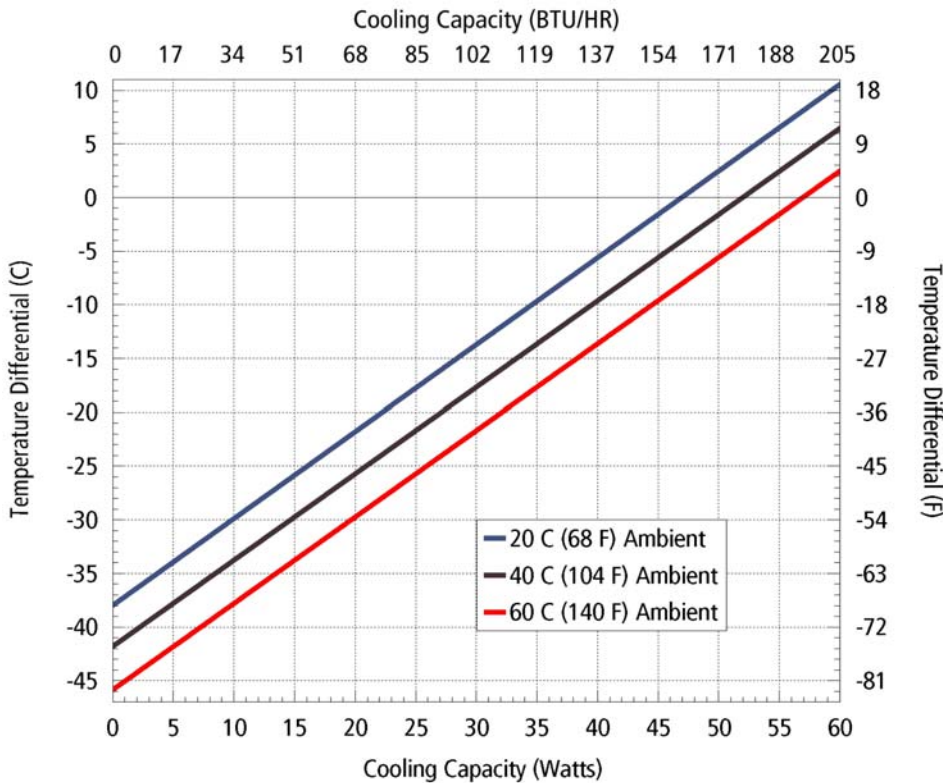
220 BTU/hr @ +20 °F ΔT

RATING (DIN 3168)

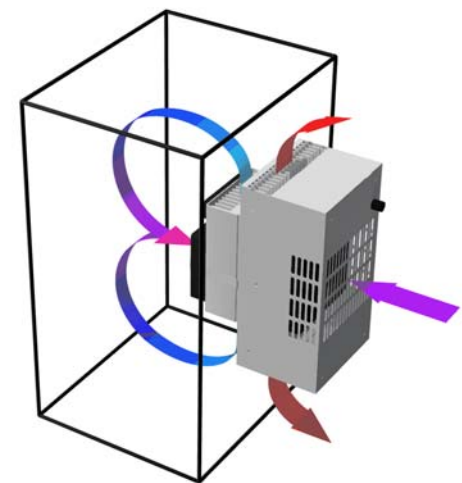
52 Watts L35 L35

36 Watts L35 L50

PERFORMANCE CURVE

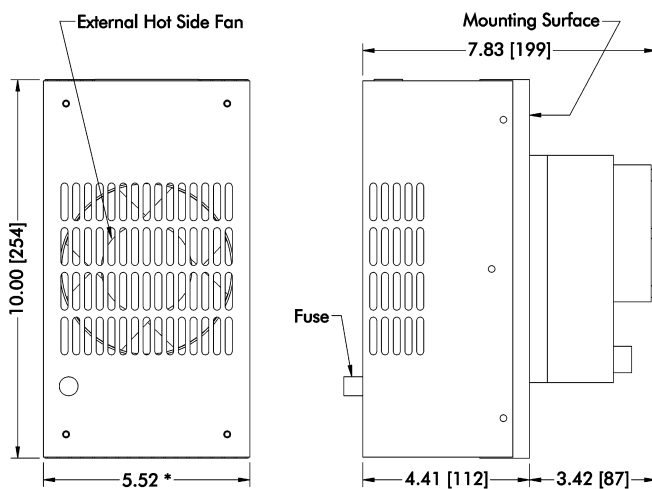


Equation of line: $y = \Delta T(^{\circ}C)$ $x = \text{Capacity (Watts)}$			
Ambient Temp	20°C	40°C	60°C
Enclosure Air	$y = .81x - 38.0$	$y = .81x - 42.0$	$y = .81x - 46.0$
Cold Sink	$y = .62x - 38.0$	$y = .62x - 42.0$	$y = .62x - 46.0$



Air Flow Pattern

DIMENSIONS



* Dimension does not include hardware and sealant.
Mounting hardware and gasket included but not shown.
Dimensions: Inches [Millimeters]

MOUNTING CUTOUT DIMENSIONS

