

AHP-1200CP Cold Plate

Air Cooled
Bench Top

General Purpose 120 VAC, 240 VAC Input
225 Watts

FEATURES

- Direct contact cooling as much as 46 °C below room temperature
- Weighs only 19 lbs. (8.6 kg)
- Bench top or enclosure mounting
- No compressor, fluorocarbons or filters
- Virtually maintenance-free operation
- Stainless steel exterior housing
- Mounts in any orientation



INCLUDES

- Integral power supply (120 VAC input)
- Cold plate mounting taps
- Rubber feet
- Power input cord

SPECIFICATIONS

MODEL	PART NUMBER	NOTES	PERFORMANCE RATING BTU/HR	VOLTAGE VAC 50/60 HZ	CURRENT AMPS.	WEIGHT LBS. (KG)	TEMP. CONTROL	OPERATING AMBIENT °C
AHP-1200CP	1-3090-0-000	Cool only	830-950	120	4.0	18(8.2)	None	-15/+60
AHP-1200CP	1-3050-0-000	Cool only	830-950	120	4.0	18(8.2)	EXT*	-15/+60
AHP-1200CPHC	1-3050-1-000	Heat/Cool	830-950	120	4.0	18(8.2)	EXT*	-15/+60
AHP-1202CP	1-3092-0-000	Cool only	830-950	240	2.5	23(10.5)	None	-15/+60
AHP-1202CP	1-3052-0-000	Cool only	830-950	240	2.5	23(10.5)	EXT*	-15/+60
AHP-1202CPHC	1-3052-1-000	Heat/Cool	830-950	240	2.5	23(10.5)	EXT*	-15/+60

* Unit is set for 5-32 VDC external control signal

AHP-1200CP

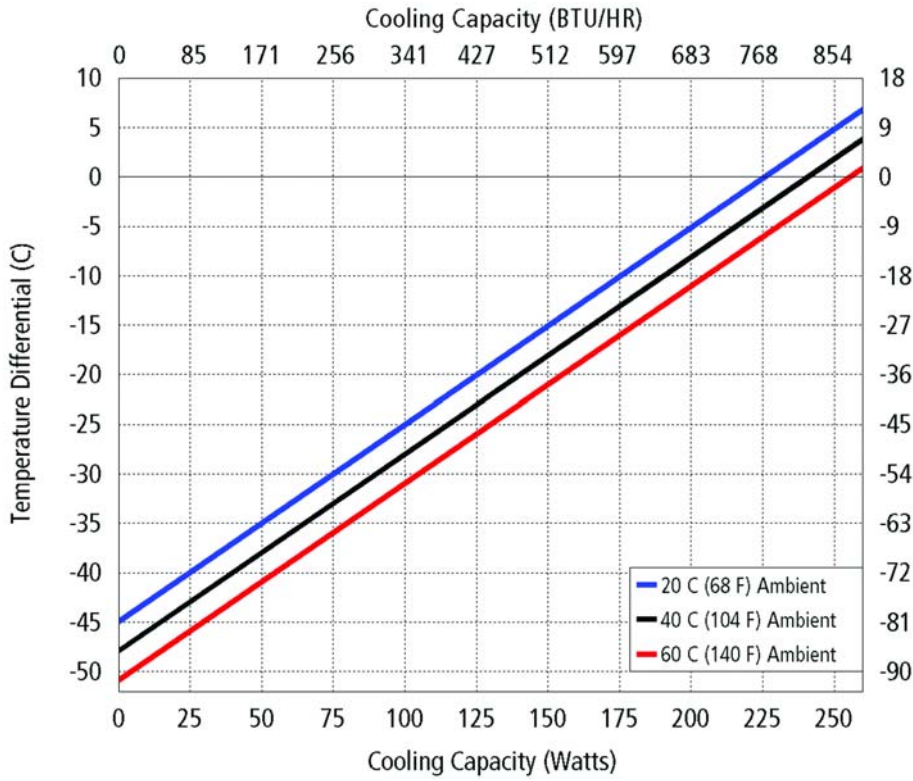
ENVIRONMENTS

- Bench top
- Factory
- Industrial/OEM

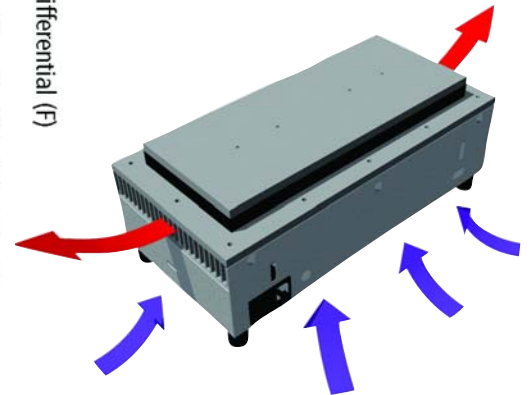
COOLING CAPACITY

225 Watts @ 0 °C ΔT

PERFORMANCE CURVE

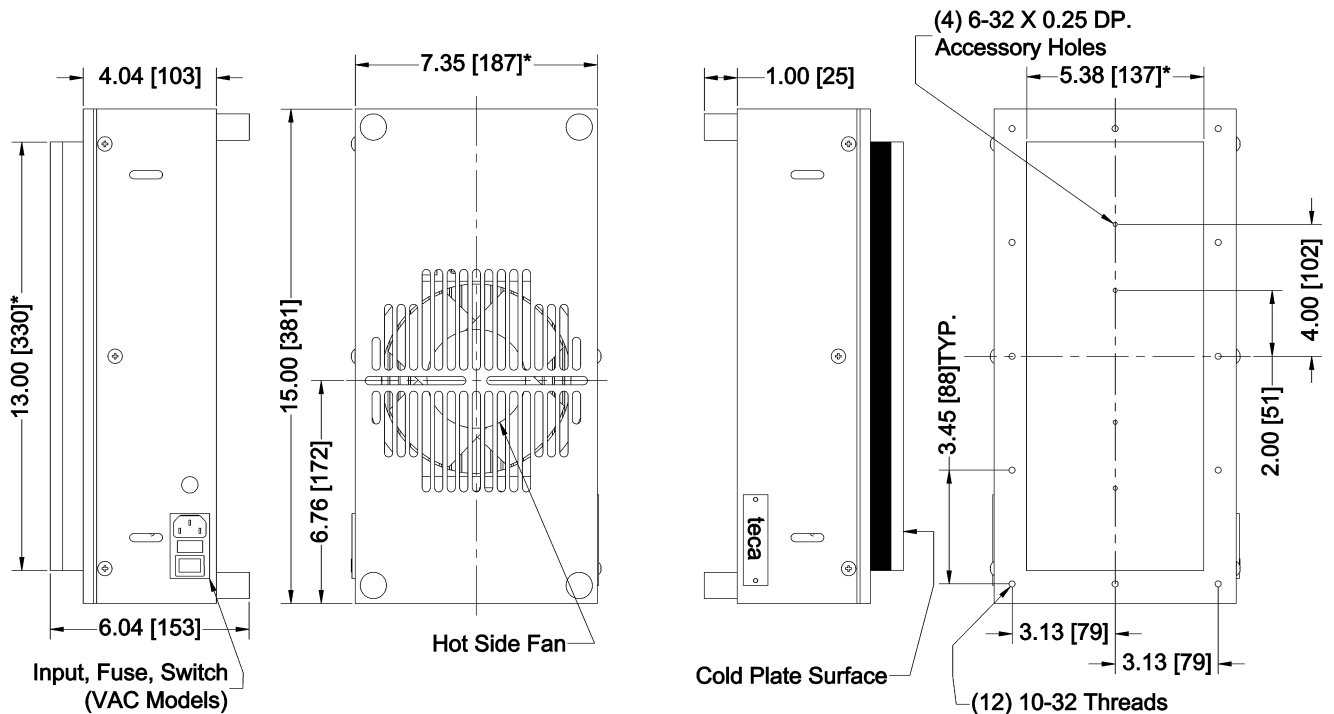


Equation of line: $y = \Delta T(^{\circ}C)$ $x = \text{Capacity (Watts)}$			
Ambient Temp	20°C	40°C	60°C
Cold Plate	$y = .199x - 44.9$	$y = .199x - 47.9$	$y = .199x - 50.8$



Ambient Air Path

DIMENSIONS



* Dimension does not include hardware and sealant.
Dimension: Inches [Millimeters]