

LHP-1200CAS

Extended Temperature Range Cold/Hot Plate

Liquid Cooled
Bench Top

100-240 VAC Input
360 Watts

FEATURES

- Precision machined cold plate surface
- Easy clean stainless steel cap
- Cooling down to -70 °C
- 100-240 VAC universal input
- Low-profile design with ergonomic sloped front
- 9/16-18 SAE J1926-1 Fluid ports, Female 1/4-18 NPT o-ring adapter included
- Weighs only 30 lbs. (13.6 kg)
- Compact bench top unit, 11.2" X 15.1" footprint
- Hinged clear acrylic cover
- Virtually maintenance-free operation
- Painted Enameled stainless steel exterior housing
- Accessories for glassware (beaker/test tube) cooling
- Stainless Steel threaded inserts
- Provides power and control to cascades



CONTROL FEATURES

- Integral TC-4300 PID "tunable" temperature controller
- One shot smart PID control tuning or Adaptive Smart Continuous Tuning
- Heating and Cooling
- Internal 3-wire, platinum, 100Ω RTD sensor
- Remote Sensibility™ switchable exterior 100Ω RTD sensor
- Multi-segment ramp and soak programmable
- RS-232 communications
- Software for programming, charting and data acquisition



LHP1200CAS with CCP-21 Cascade rear view

SPECIFICATIONS

MODEL	PART NUMBER	CASCADE INCLUDED	VOLTAGE VAC	CURRENT † AMPS. 50/60 HZ	MIN. COOLANT FLOW L/MIN	TEMP. CONTROL	COOLANT TEMPERATURE RANGE °C	COLD PLATE TEMPERATURE RANGE °C
LHP-1200CAS*	3-35EB-1-CAS*	None	100-240	8	1	TC-4300	0 / +50	-30 / +90
LHP-1200C22	3-35EB-1-C22	CCP-22	100-240	8.4	1	TC-4300	0 / +50	-50 / +90
LHP-1200C21	3-35EB-1-C21	CCP-21	100-240	8.2	1	TC-4300	0 / +50	-55 / +90
LHP-1200C31	3-35EB-1-C31	CCP-31	100-240	8.6	1	TC-4300	0 / +50	-60 / +90
LHP-1200CAS*	3-35EB-6-CAS*	None	100-240	8	1	TC-4300	0 / +50	-30 / +130
LHP-1200C22	3-35EB-6-C22	CCP-22H	100-240	8.4	1	TC-4300	0 / +50	-50 / +150
LHP-1200C21	3-35EB-6-C21	CCP-21H	100-240	8.2	1	TC-4300	0 / +50	-55 / +150
LHP-1200C31	3-35EB-6-C31	CCP-31H	100-240	8.6	1	TC-4300	0 / +50	-60 / +150

* This part number is ready for use with a low temperature cascade option and includes CH-1200 hinged cover, CC-1200 rear panel for cascade power up and control, refer to accessory pages for information on cascades.

† Reflects the current draw @ 120 VAC, 60 Hz input

Many options and accessories available, see CPV accessory pages.

LHP-1200CAS

ENVIRONMENTS

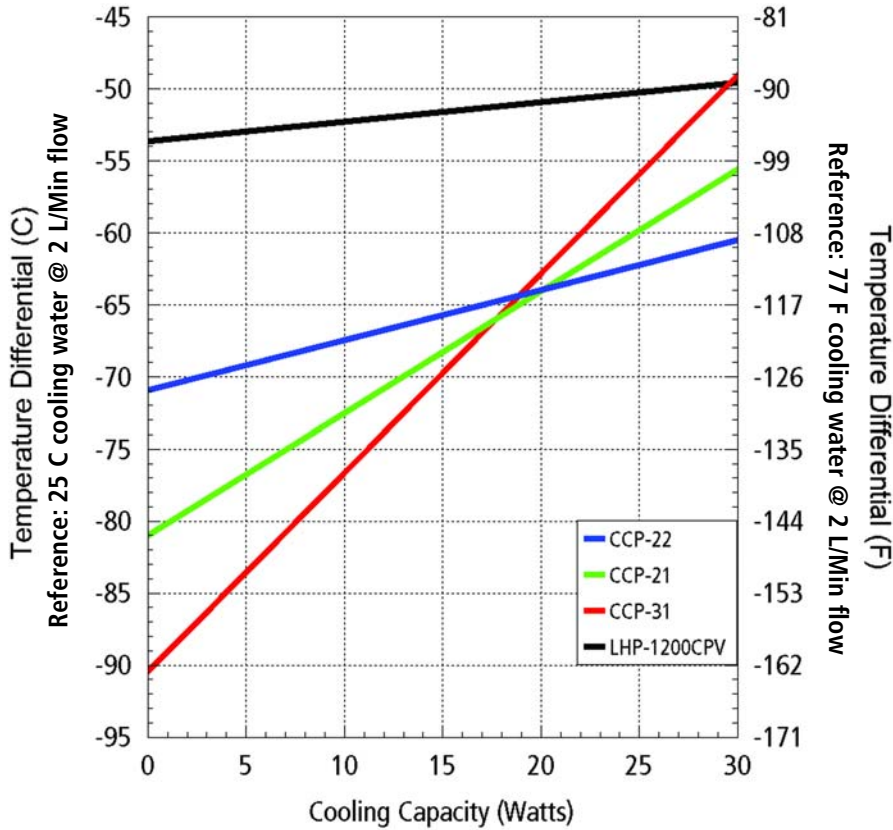
- Bench top
- Laboratory
- Industrial

MAXIMUM ΔT (LOAD = 0 WATTS)

LHP-1200CAS	-54 C
LHP-1200CAS/CCP-22	-72 C
LHP-1200CAS/CCP-21	-82 C
LHP-1200CAS/CCP-31	-90 C

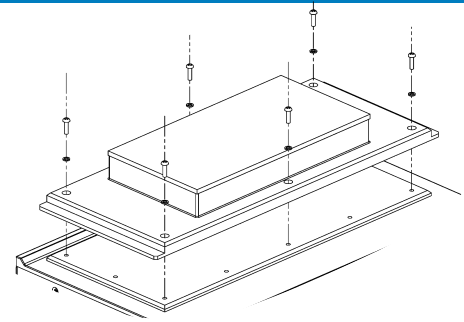
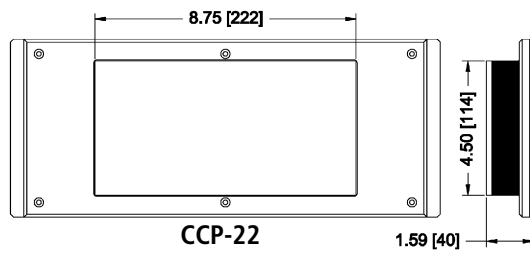


PERFORMANCE CURVE

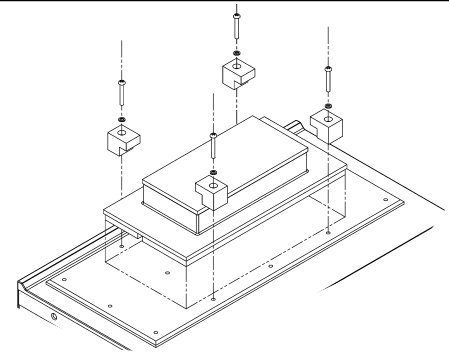
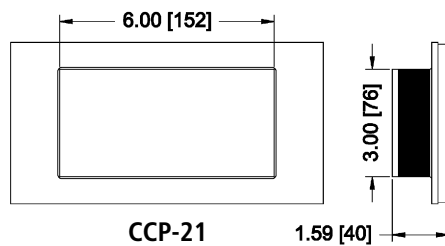


DIMENSIONS

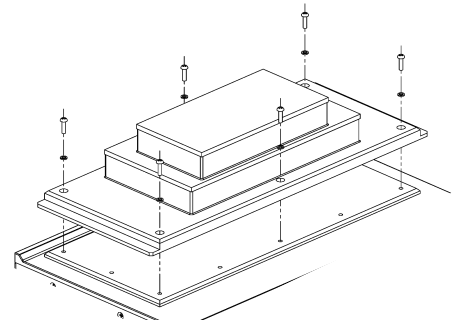
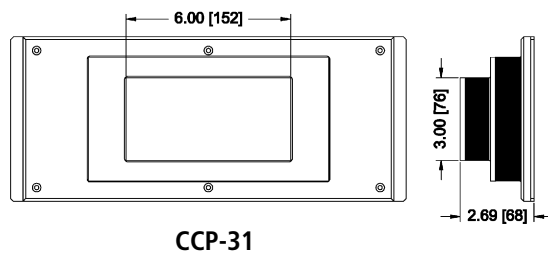
TWO STAGE - LARGE PLATE



TWO STAGE - SMALL PLATE



THREE STAGE



Dimensions: Inches [Millimeters]