

AHP-1200CAS

Extended Temperature Range Cold/Hot Plate

Air Cooled
Bench Top

100-240 VAC Input
360 Watts

FEATURES

- Precision machined cold plate surface
- Stainless Steel threaded inserts
- Easy clean stainless steel cap
- Cools down to -50 °C
- Heats up to 150 °C
- 100-240 VAC universal input
- Low-profile design with ergonomic sloped front
- Weighs less than 30 lbs. (13.6 kg)
- Operating ambient range 0 °C to 50 °C
- Compact bench top unit, 11.2" X 15.1" footprint
- Hinged clear acrylic cover
- Virtually maintenance-free operation
- Painted Enameled stainless steel exterior housing
- Accessories for glassware (beaker/test tube) cooling
- Provides power and control to cascades

CONTROL FEATURES

- Integral TC-4300 PID "tunable" temperature controller
- One shot smart PID control tuning or Adaptive Smart Continuous Tuning
- Heating and Cooling
- Internal 3-wire, platinum, 100Ω RTD sensor
- Remote Sensibility™ switchable exterior 100Ω RTD sensor
- Multi-segment ramp and soak programmable
- RS-232 communications
- Software for programming, charting and data acquisition



AHP1200CAS with CCP-21 cascade rear view

SPECIFICATIONS

MODEL	PART NUMBER	CASCADE INCLUDED	COLD PLATE SURFACE AREA INCHES	VOLTAGE VAC 50/60 HZ	CURRENT DRAW AMPS. †	AMBIENT TEMPERATURE RANGE °C	COLD PLATE TEMPERATURE RANGE °C
AHP-1200CAS*	9-35EB-1-CAS*	None	13.3 x 5.8	100-240	5.0	0 / +50	-20 / +90
AHP-1200C22	9-35EB-1-C22	CCP-22	8.8 x 4.5	100-240	6.6	0 / +50	-30 / +90
AHP-1200C21	9-35EB-1-C21	CCP-21	6.0 x 3.0	100-240	6.4	0 / +50	-40 / +90
AHP-1200C31	9-35EB-1-C31	CCP-31	6.0 x 3.0	100-240	6.8	0 / +50	-50 / +90
AHP-1200CAS*	9-35EB-6-CAS*	None	13.3 x 5.8	100-240	5.0	0 / +50	-20 / +120
AHP-1200C22	9-35EB-6-C22	CCP-22H	8.8 x 4.5	100-240	6.6	0 / +50	-30 / +150
AHP-1200C21	9-35EB-6-C21	CCP-21H	6.0 x 4.5	100-240	6.4	0 / +50	-40 / +150
AHP-1200C31	9-35EB-6-C31	CCP-31H	6.0 x 3.0	100-240	6.8	0 / +50	-50 / +150

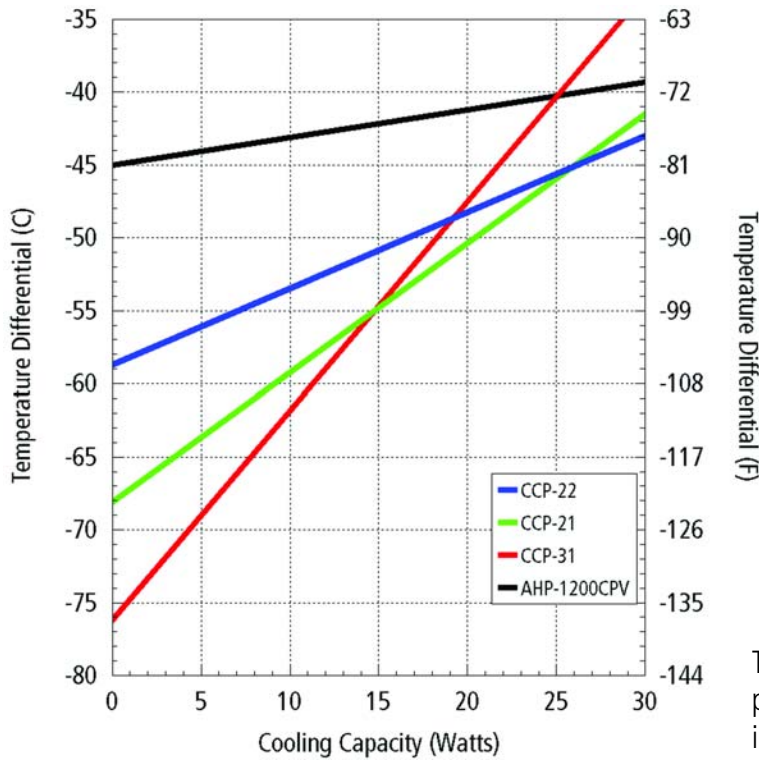
* This part number is ready for use with a low temperature cascade option and includes CH-1200 hinged cover, CC-1200 rear panel for cascade power up and control, refer to accessory pages for information on cascades.

† Reflects the current draw @ 120 VAC, 60 Hz input

Many options and accessories available, see CPV accessory pages.

PERFORMANCE CURVE

AHP-1200CAS



ENVIRONMENTS

- Bench top
- Laboratory
- Industrial

MAXIMUM ΔT (LOAD = 0 WATTS)

AHP-1200CAS	-45 °C
AHP-1200C22	-59 °C
AHP-1200C21	-68 °C
AHP-1200C31	-76 °C

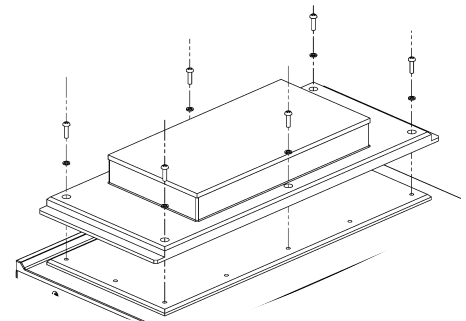
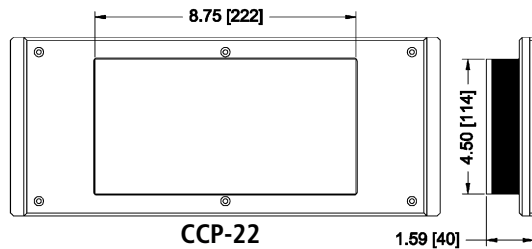
MAXIMUM TEMPERATURE

AHP-1200CAS, C22, C21, C31	90 °C
AHP-1200CAS high temp.	120 °C
AHP-1200C22H, C21H, C31H	150 °C

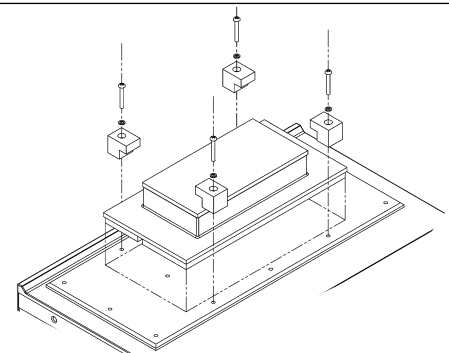
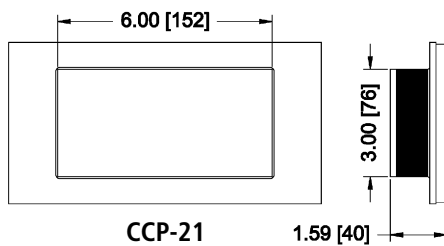
This performance curves represent tests performed in 25 °C ambient with a well insulated cold plate surface.

DIMENSIONS

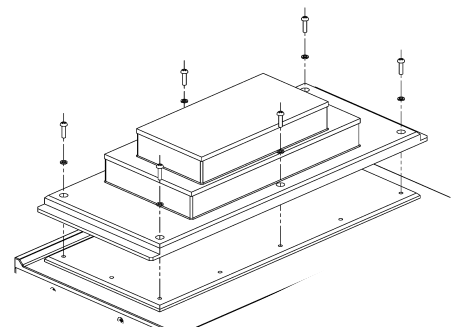
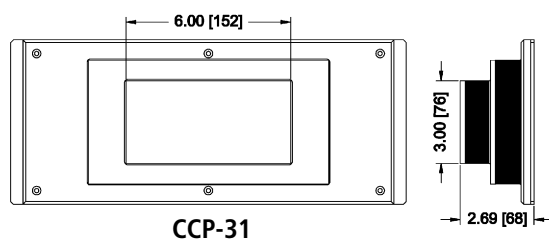
TWO STAGE - LARGE PLATE



TWO STAGE - SMALL PLATE



THREE STAGE



Dimensions: Inches [Millimeters]