

Product Information Packet

Model LHP-150 CP

Solid State Liquid Cooled Cold Plate

Part #3-8094-0-000

Thank you for your purchase. Information has been enclosed regarding the installation, specifications, and wiring of your solid-state assembly. Please read and follow all instructions carefully before installation. Only qualified technicians should install this equipment.

If you have any questions regarding your equipment, please do not hesitate to call us at 773-342-4900, and we will be happy to assist you. We are open from 8:30 am-5:00 pm Central Time.

Included in this packet you will find:

Product Literature and Specifications

Assembly Drawing # LHP150-B-A8

Wiring Drawing # LHP150-B-E12

Installation Drawing # LHP150-B-F6

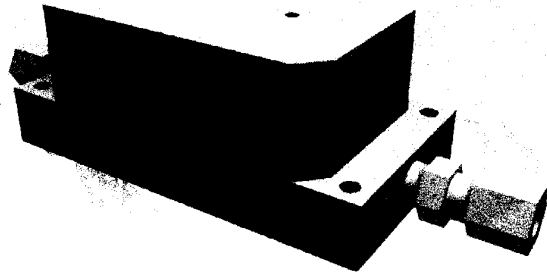
Warranty Information

teca[®]

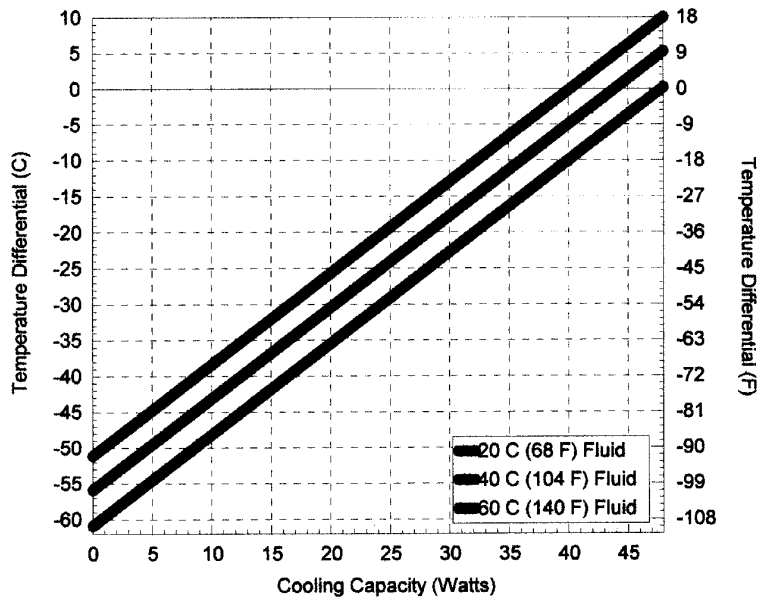
ThermoElectric Cooling America Corporation • 4048 W. Schubert Ave. • Chicago IL (USA) 60639
Phone: 773-342-4900 Fax: 773-342-0191 • www.thermoelectric.com • teca@thermoelectric.com

LHP-150CP

130-160 Btu/Hr
Liquid Cooled Cold Plate



Performance:

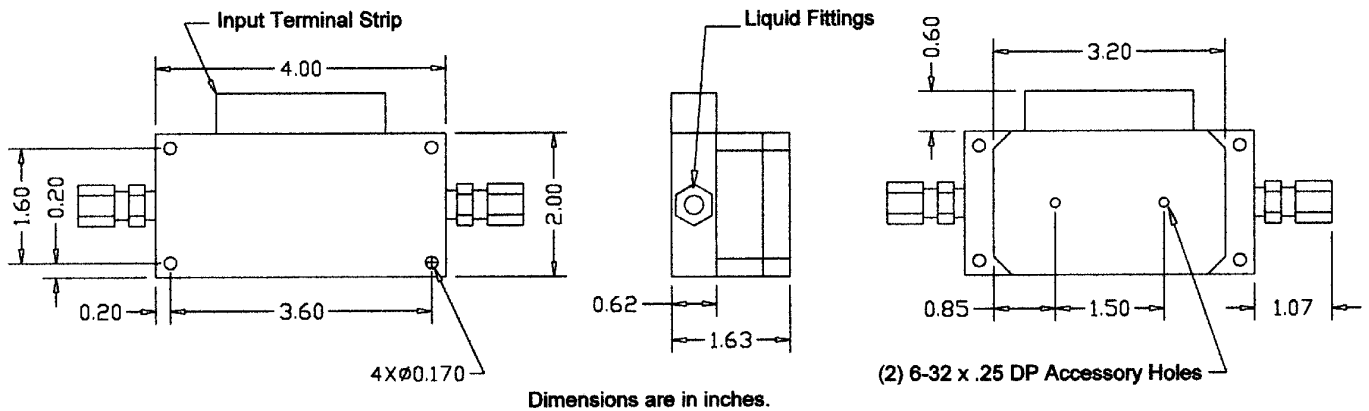


Liquid Temp.	20°C	40°C	60°C
Cold Plate	$y=1.30x-51$	$y=1.30x-56$	$y=1.30x-61$

$y=\Delta T(^{\circ}\text{C})$ $x=\text{Capacity (Watts)}$

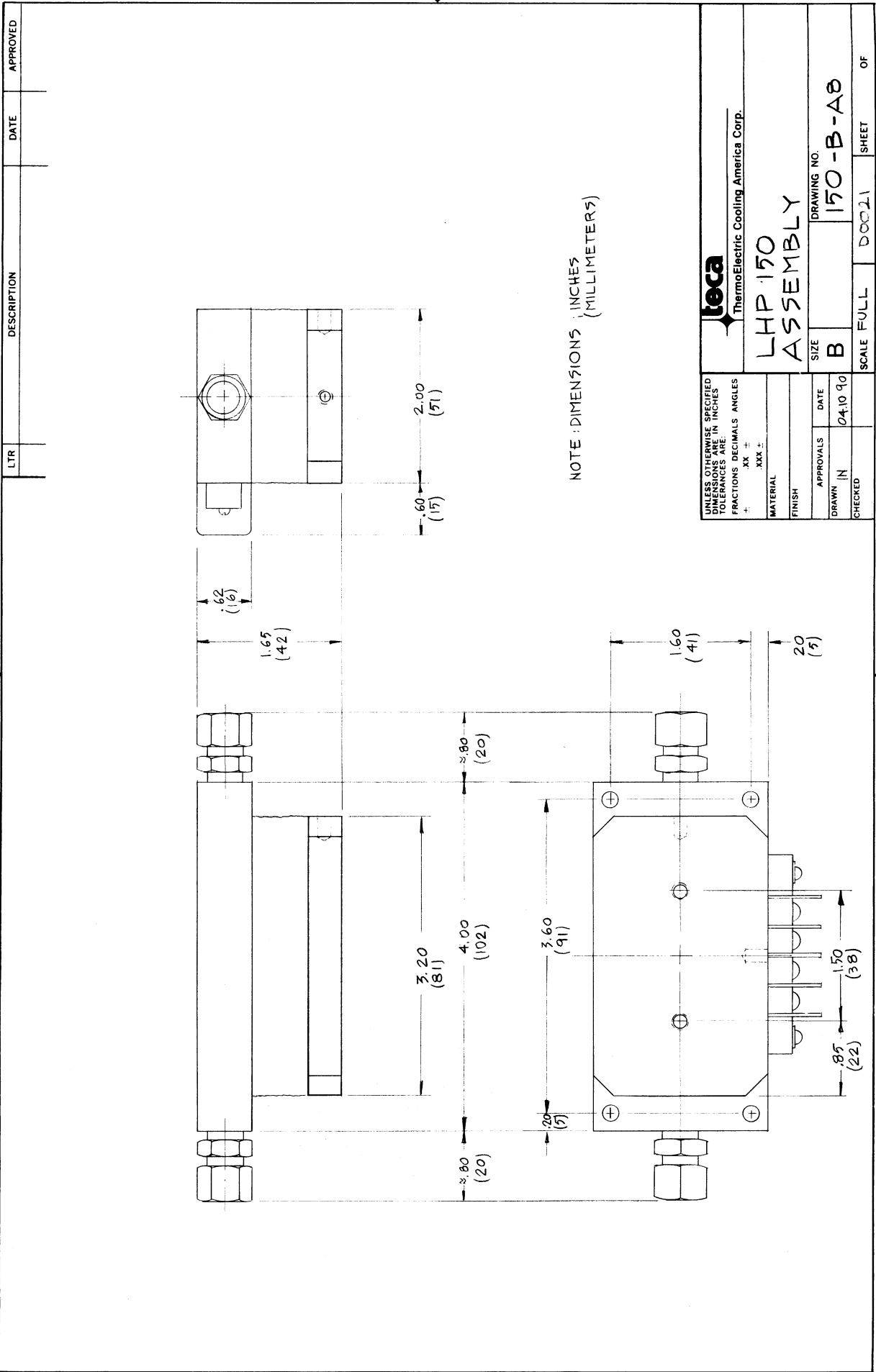
Specifications

Model	Part Number	Notes	Performance Rating (BTU/hr)	Voltage	Current (Amps)	Heat Voltage	Weight Lbs. (Kg)	Minimum Flow (GPM)	Operating Range (°C)
LHP-150CP	3-8094-0-000	Cool only, no temperature control	130-160	12	4.5	N/A	.75(.34)	0.2	0/+70
LHP-150CPHC	3-8094-1-000	Heat/Cool, no temperature control, 72 Watts Heat	130-160	12	4.5	12 VDC	.75(.34)	0.2	0/+70
LHP-150CPHC	3-8099-1-000	Heat/Cool, no temperature control, 72 Watts Heat	130-160	12	4.5	120 VAC	.75(.34)	0.2	0/+70

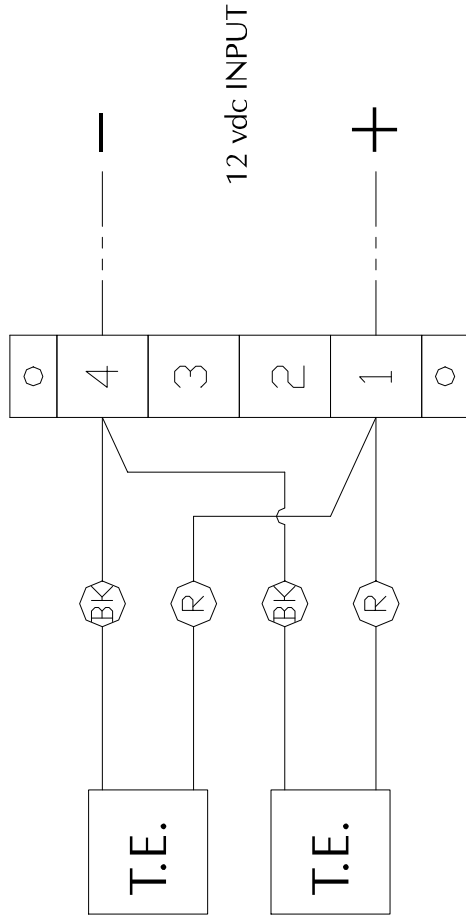


Call us toll free at 888-TECA-USA (832-2872)

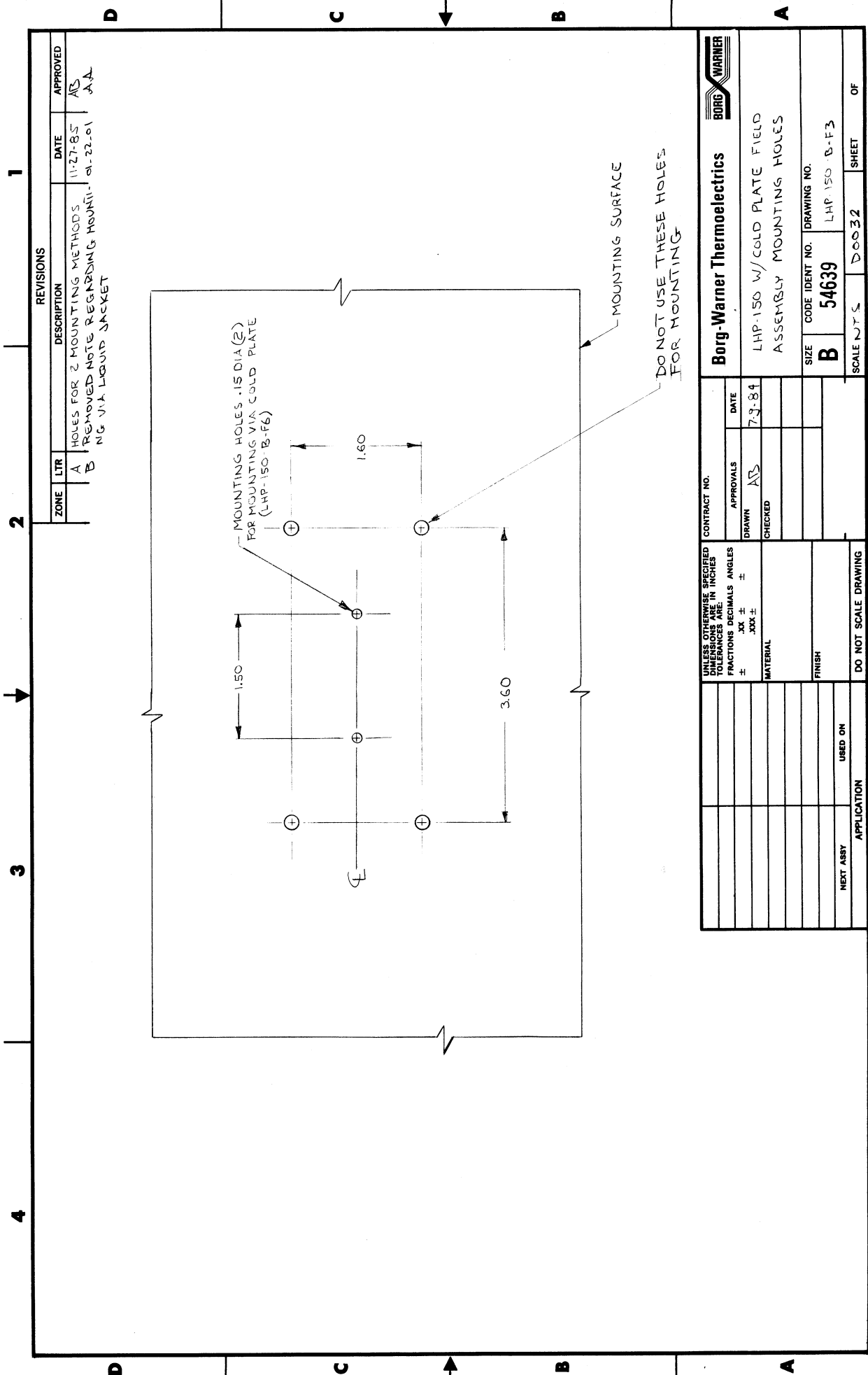
ThermoElectric Cooling America Corporation • 4048 W. Schubert Ave. • Chicago IL (USA) 60639
Phone: 773-342-4900 Fax: 773-342-0191 • www.thermoelectric.com • teca@thermoelectric.com



LTR	DESCRIPTION	DATE	APPROVED
-----	-------------	------	----------

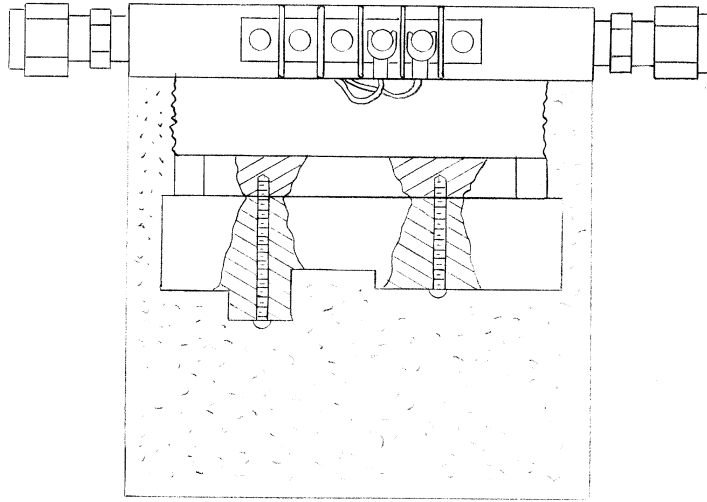


REV	DESCRIPTION	Date	APPROVED	SHEET
				MASTER
			SCALE	MASTER
		DATE: 11/28/00	DRAWING #	LHP150-A-E12
		DRAWN BY: AA		REV LEVEL
THERMOELECTRIC COOLING AMERICA CORP.				
LHP-150 CP				
WIRING DIAGRAM				
UNLESS OTHERWISE SPECIFIED DIMENSIONS ARE IN INCHES				
TOLERANCES ARE:				
DECIMALS	ANGLE	HOLE		
.XX +/-	1/16	+/-		
.XXX +/-	FRACTION	+/-		
MATERIAL:				
FINISH:				
INFORMATION DISCLOSED HEREIN IS THE CONFIDENTIAL PROPERTY OF TECA CORP. RECIPIENT SHALL NOT USE THE INFORMATION IN ANY UNAUTHORIZED MANNER.				



REVISIONS			DATE	APPROVED
ZONE	LTR	DESCRIPTION		
A		HOLES FOR 2 MOUNTING METHODS	11-27-85	AS
B		REMOVED NOTE REGARDING MOUNTING VIA LIQUID JACKET	01-22-01	AA

		Borg-Warner Thermoelectrics	
CONTRACT NO.		LHP-150 W/ COLD PLATE FIELD ASSEMBLY MOUNTING HOLES	
UNLESS OTHERWISE SPECIFIED DIMENSIONS ARE IN INCHES	APPROVALS	DATE	DRAWING NO.
FRACTIONS & DECIMALS ± .001 ±	DRAWN AS	7-8-84	LHP 150 B-F3
ANGLES ±	CHECKED		SIZE CODE IDENT NO.
MATERIAL			B 54639
FINISH			SCALE NTS D0032
NEXT ASSY	USED ON		SHEET 1 OF 1
APPLICATION			



APPLICATION		REVISION	
NEXT ASSY	USED ON	DESCRIPTION	DATE

INSTALLATION INSTRUCTIONS

1. Cut and drill mounting holes as per appropriate field assembly mounting drawing.
2. Insure clean, flat mounting surface.
3. Spread evenly 10 mil coating of thermal grease (Dow type 340 or equivalent) on both thermal contact surfaces with speedball rubber roller.
4. Install unit without sliding against mating surface using Stainless Steel screws if available and lock washers. Torque screws until snug. Do not over tighten.
5. Connect 1/8" water lines.
6. Inspect for water leaks.
7. Fit 1" insulation around margin of frame and exposed area of cooled surface.
8. Caulk insulation to seal and secure insulation.
9. Inspect for leaks and alignment.
10. Connect power. (1) Black is -DC for T.E.
(2) Red is +DC for T.E.
(3) Blue is 110 VAC (LHP-150HC only)
(4) White is 110 VAC (LHP-150HC only)
11. Caution: Do not operate unit without water flow.

UNLESS OTHERWISE SPECIFIED DIMENSIONS ARE IN INCHES TOLERANCES ARE:		CONTRACT NO.	
± .XX ±	ANGLES ±	APPROVALS	DATE
± .XXX ±		DRAWN AD	11-27-85
MATERIAL		CHECKED	
FINISH			
DO NOT SCALE DRAWING			
		ThermoElectrics	
INSTALLATION INSTRUCTIONS FOR LHP-150 VIA COLD PLATE			
SIZE	DRAWING NO.		
B	LHP-150 - B - FG		
SCALE	SHEET	OF	
	D0035		

LIMITED WARRANTY

In the event a defect in material or workmanship is discovered in any of TECA's products within one year after the date they are delivered to Buyer, and if: (a) TECA is notified of the defect in writing by certified mail within 14 days of the date of discovery; (b) TECA may then either, at its sole discretion, inspect the product at Buyer's location, or require that the product be made available at Buyer's expense at TECA's premises for TECA's inspection within 14 days of the date of notification; and (c) the products are defective and the defects result from faulty materials and/or workmanship and not in any way from accident, misuse, misapplication, mishandling, modification, or alteration by the Buyer or the shipper, then TECA shall, at its sole option, repair or exchange defective products free of charge to Buyer, or credit to buyer the price of the defective products. ALL OTHER WARRANTIES, EXPRESS OR IMPLIED, ARE EXCLUDED, INCLUDING BUT NOT LIMITED TO THE IMPLIED WARRANTIES OF MERCHANTABILITY AND FITNESS FOR A PARTICULAR PURPOSE. IN NO EVENT SHALL TECA BE LIABLE FOR ANY CLAIM BASED UPON BREACH OF EXPRESS OR IMPLIED WARRANTY OR ANY OTHER DAMAGES WHETHER SPECIAL, INDIRECT, INCIDENTAL, CONSEQUENTIAL, LOST PROFITS, BUSINESS INTERRUPTION, OR LOSS OF BUSINESS OR CUSTOMER RELATIONSHIPS.

RETURNED GOODS, RESTOCKING CHARGES

In order to return merchandise for any reason (repair, replacement, or credit) a return authorization number must be issued by TECA. New merchandise may not be returned for credit beyond 60 days from shipment. Charges for incidental or other damages may also be made. All returned goods must be sent freight prepaid. A restocking charge of 15% will apply. On special equipment and custom modified equipment orders, additional incremental cancellation charges may be made.