

# Product Information Packet

Model LHP-300 FF

Solid State Liquid Cooled Air Conditioner

Part #2-7098-0-000

Thank you for your purchase. Information has been enclosed regarding the installation, specifications, and wiring of your solid-state assembly. Please read and follow all instructions carefully before installation. Only qualified technicians should install this equipment.

If you have any questions regarding your equipment, please do not hesitate to call us at 773-342-4900, and we will be happy to assist you. We are open from 8:30 am-5:00 pm Central Time.

Included in this packet you will find:

Product Literature and Specifications

Assembly Drawing # LHP300-B-A19

Wiring Drawing # LHP300-A-E23

Installation Drawing # LHP300-B-F7

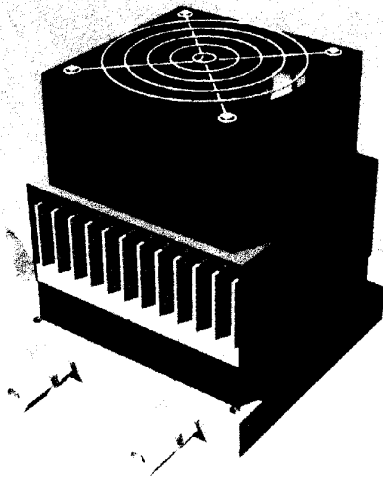
Warranty Information

**teca**<sup>®</sup>

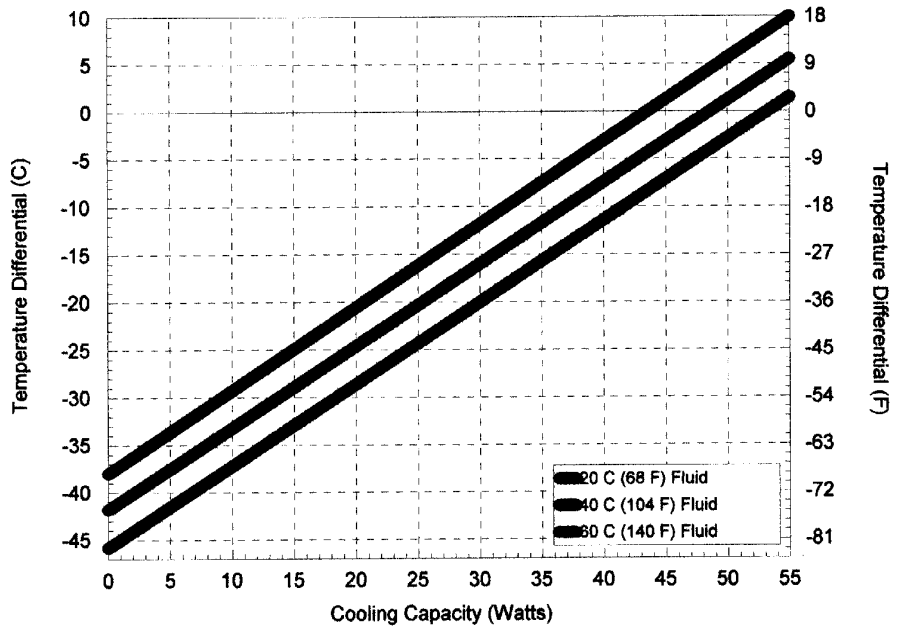
ThermoElectric Cooling America Corporation • 4048 W. Schubert Ave. • Chicago IL (USA) 60639  
Phone: 773-342-4900 Fax: 773-342-0191 • [www.thermoelectric.com](http://www.thermoelectric.com) • [teca@thermoelectric.com](mailto:teca@thermoelectric.com)

# LHP-300FF

150-175 Btu/Hr  
Liquid Cooled, Nema-12



## Performance:

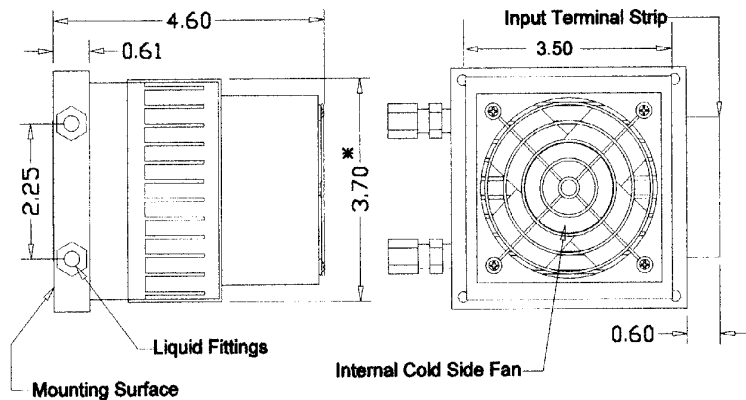
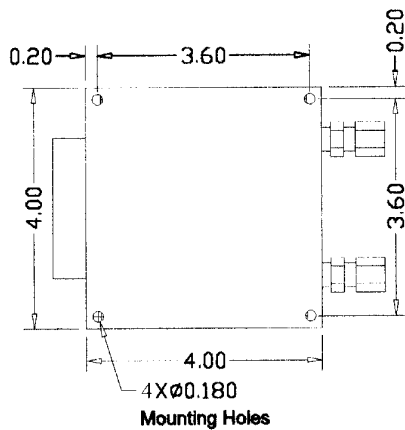


| Fluid Temp.   | 20°C            | 40°C            | 60°C            |
|---------------|-----------------|-----------------|-----------------|
| Enclosure Air | $y = .88x - 38$ | $y = .88x - 42$ | $y = .88x - 46$ |
| Cold Sink     | $y = .51x - 38$ | $y = .51x - 42$ | $y = .51x - 46$ |

$y = \Delta T (^{\circ}C)$      $x = \text{Capacity (Watts)}$

## Specifications

| Model       | Part Number  | Notes   | Performance Rating (BTU/hr) | Voltage (VDC) | Current (Amps) | Fan Voltage (VAC) | Weight Lbs. (Kg) | Minimum Flow (GPM) | Operating Range (°C) |
|-------------|--------------|---|-----------------------------|---------------|----------------|-------------------|------------------|--------------------|----------------------|
| LHP-300FF   | 2-7099-0-000 | Cool only, no temperature control               | 150-175                     | 24            | 4.5            | 120               | 6(2.7)           | 0.3                | 0/+70                |
| LHP-300FFHC | 2-7099-1-001 | Heat/Cool, no temperature control, 24 VDC Heat  | 150-175                     | 24            | 4.5            | 120               | 6(2.7)           | 0.3                | 0/+70                |
| LHP-300FFHC | 2-7099-1-000 | Heat/Cool, no temperature control, 120 VAC Heat | 150-175                     | 24            | 4.5            | 120               | 6(2.7)           | 0.3                | 0/+70                |
| LHP-300FF   | 2-7095-1-000 | Heat/Cool, no temperature control, 24 VDC Heat  | 150-175                     | 24            | 4.5            | 24                | 6(2.7)           | 0.3                | 0/+70                |

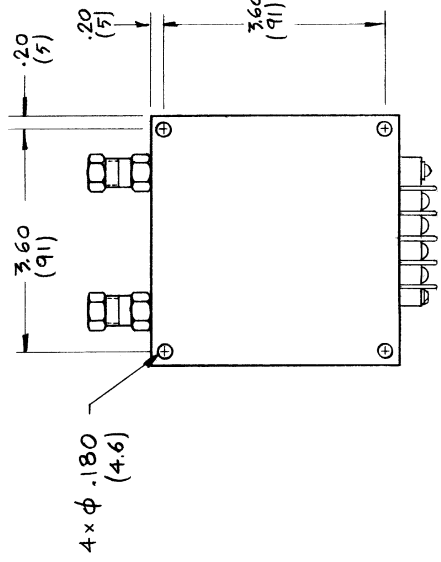
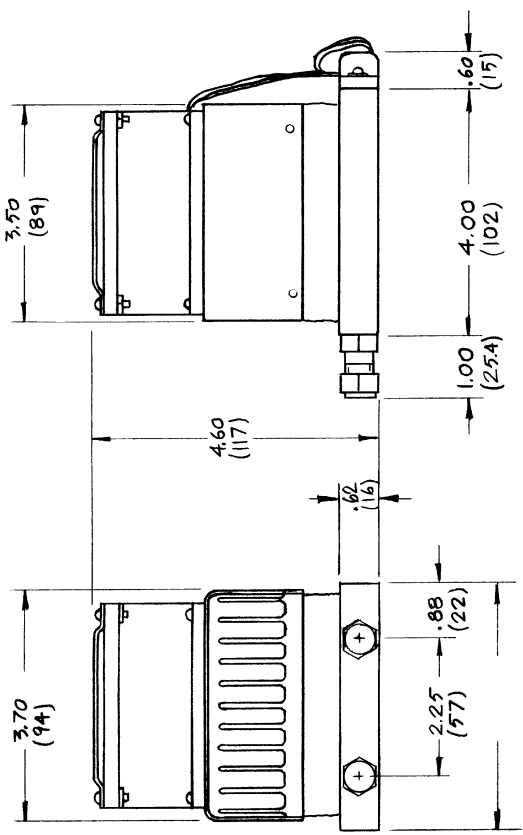


\* Dimension does not include hardware, Insulation. Dimensions are in inches.

Call us toll free at 888-TECA-USA (832-2872)

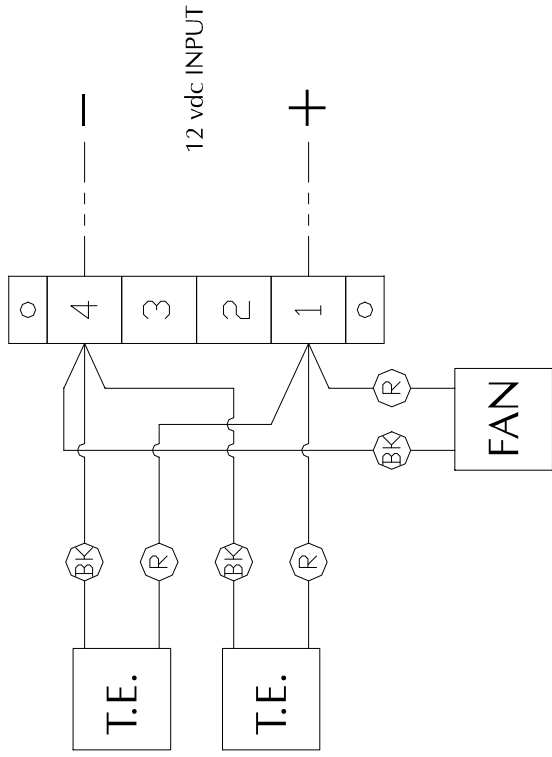
ThermoElectric Cooling America Corporation • 4048 W. Schubert Ave. • Chicago IL (USA) 60639  
Phone: 773-342-4900 Fax: 773-342-0191 • www.thermoelectric.com • teca@thermoelectric.com

|     |                          |          |          |
|-----|--------------------------|----------|----------|
| LTR | DESCRIPTION              | DATE     | APPROVED |
| A   | REMOVED T.E. CUTOUT VIEW | 12.07.93 | A A      |

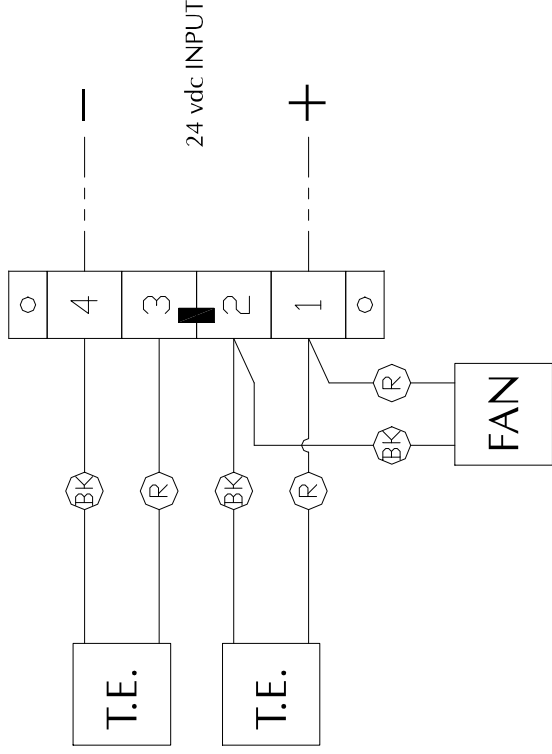


NOTE: DIMENSIONS - INCHES (MILLIMETERS)

|   |  |                              |
|---|--|------------------------------|
| UNLESS OTHERWISE SPECIFIED TOLERANCES ARE:<br>FRACTIONS DECIMALS ANGLES<br>+ .015 +<br>+ .005 | loca<br>ThermoElectric Cooling America Corp. |                              |
|   | LHP 300 OFF<br>ASSEMBLY                      |                              |
| MATERIAL  | FINISH                                       | DRAWING NO.<br>LHP 300-B-A19 |
| APPROVALS   | DATE   | SIZE<br>B                    |
| DRAWN IN  | 07.10.90                                     | SCALE 1/2                    |
| CHECKED   |  | SHEET 1/2                    |
|   |  | OF                           |



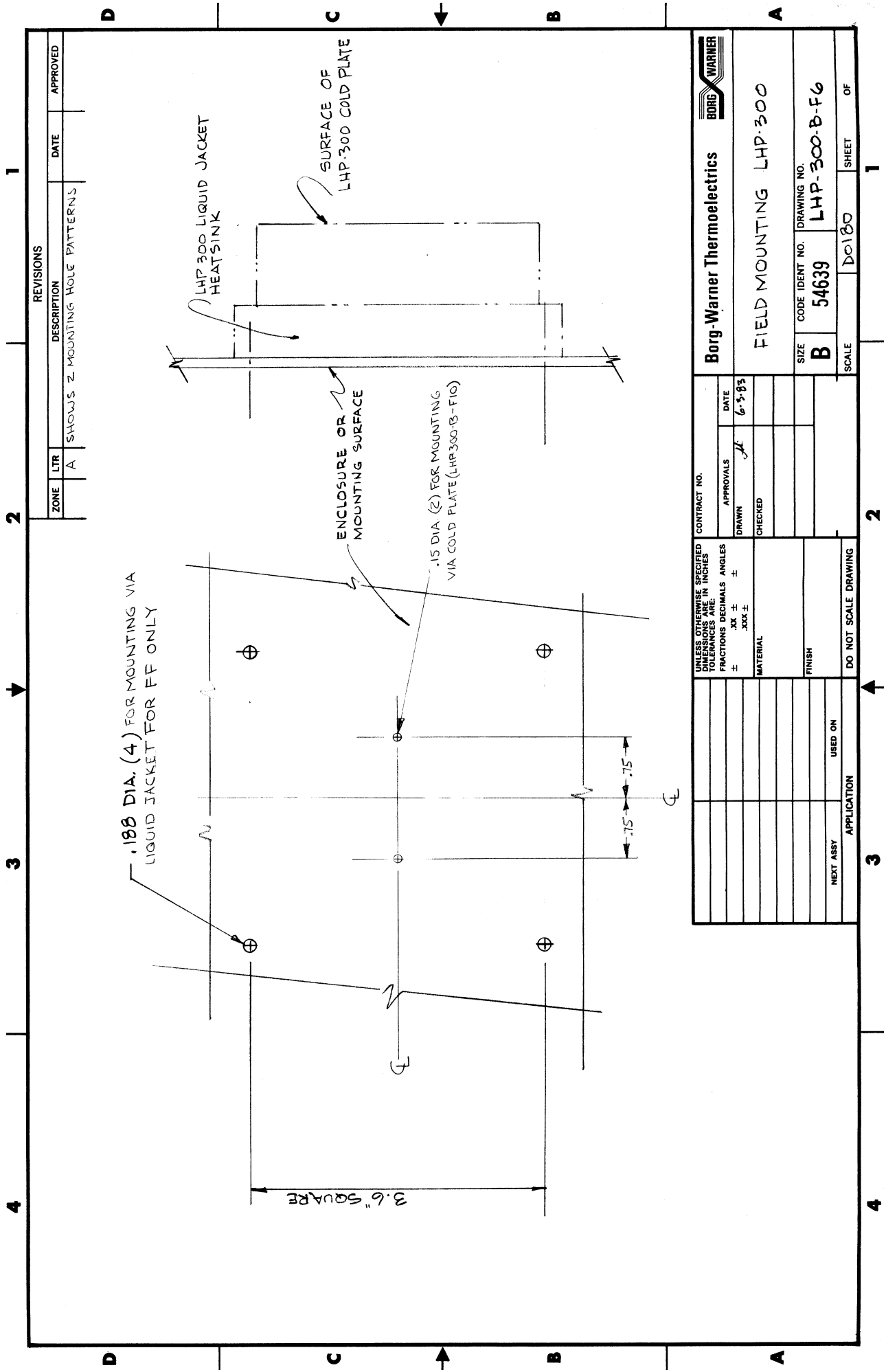
12 vdc INPUT



24 vdc INPUT

Note: Factory wired for 24vdc operations.

|   |             |      |          |   |  |           |
|---|-------------|------|----------|---|--|-----------|
| REV   | DESCRIPTION | Date | APPROVED | <b>THERMOELECTRIC COOLING AMERICA CORP.</b><br>LHP-300 FF<br>WIRING DIAGRAM   |  | REV LEVEL |
|   |             |      |          | DRAWN BY: AA<br>DATE: 10/31/00<br>D5523   | DRAWING #<br>LHP300-A-E23<br>SCALE<br>MASTER: LHP300-A-E20 | SHEET     |
| INFORMATION DISCLOSED HEREIN IS THE CONFIDENTIAL PROPERTY OF TEGA CORP. RECIPIENT SHALL NOT USE THE INFORMATION IN ANY UNAUTHORIZED MANNER. |             |      |          | UNLESS OTHERWISE SPECIFIED DIMENSIONS ARE IN INCHES TOLERANCES ARE:<br>DECIMALS .XX +/-<br>FRACTION .XXX +/-<br>MATERIAL: |  |           |
| FINISH:   |             |      |          |   |  |           |



| REVISIONS |                                | DATE | APPROVED |
|-----------|--------------------------------|------|----------|
| ZONE      | DESCRIPTION                    |      |          |
| LTR       |                                |      |          |
| A         | SHOWS Z MOUNTING HOLE PATTERNS |      |          |

|                        |                |                                    |         |
|------------------------|----------------|------------------------------------|---------|
|                        |                | <b>Borg-Warner Thermoelectrics</b> |         |
| FIELD MOUNTING LHP-300 |                | CONTRACT NO.                       | DATE    |
| SIZE                   | CODE IDENT NO. | DRAWING NO.                        | DRAWN   |
| B                      | 54639          | LHP-300-B-F6                       | CHECKED |
| SCALE                  | DO 180         | SHEET                              | OF      |
| 1                      | 1              | 1                                  | 1       |

|   |                           |
|---|---------------------------|
| UNLESS OTHERWISE SPECIFIED DIMENSIONS ARE IN INCHES | FRACTIONS DECIMALS ANGLES |
| $\pm$   | $\pm$                     |
| $\pm$   | $\pm$                     |
| MATERIAL  | FINISH                    |
| NEXT ASSY   | USED ON                   |
| APPLICATION   | DO NOT SCALE DRAWING      |



## LIMITED WARRANTY

In the event a defect in material or workmanship is discovered in any of TECA's products within one year after the date they are delivered to Buyer, and if: (a) TECA is notified of the defect in writing by certified mail within 14 days of the date of discovery; (b) TECA may then either, at its sole discretion, inspect the product at Buyer's location, or require that the product be made available at Buyer's expense at TECA's premises for TECA's inspection within 14 days of the date of notification; and (c ) the products are defective and the defects result from faulty materials and/or workmanship and not in any way from accident, misuse, misapplication, mishandling, modification, or alteration by the Buyer or the shipper, then TECA shall, at its sole option, repair or exchange defective products free of charge to Buyer, or credit to buyer the price of the defective products. ALL OTHER WARRANTIES, EXPRESS OR IMPLIED, ARE EXCLUDED, INCLUDING BUT NOT LIMITED TO THE IMPLIED WARRANTIES OF MERCHANTABILITY AND FITNESS FOR A PARTICULAR PURPOSE. IN NO EVENT SHALL TECA BE LIABLE FOR ANY CLAIM BASED UPON BREACH OF EXPRESS OR IMPLIED WARRANTY OR ANY OTHER DAMAGES WHETHER SPECIAL, INDIRECT, INCIDENTAL, CONSEQUENTIAL, LOST PROFITS, BUSINESS INTERRUPTION, OR LOSS OF BUSINESS OR CUSTOMER RELATIONSHIPS.

## RETURNED GOODS, RESTOCKING CHARGES

In order to return merchandise for any reason ( repair, replacement, or credit) a return authorization number must be issued by TECA. New merchandise may not be returned for credit beyond 60 days from shipment. Charges for incidental or other damages may also be made. All returned goods must be sent freight prepaid. A restocking charge of 15% will apply. On special equipment and custom modified equipment orders, additional incremental cancellation charges may be made.