

Product Information Packet

Model LHP-300 FFHC

Solid State Liquid Cooled Air Conditioner, Heat/Cool

Part #2-7095-1-000

Thank you for your purchase. Information has been enclosed regarding the installation, specifications, and wiring of your solid-state assembly. Please read and follow all instructions carefully before installation. Only qualified technicians should install this equipment.

If you have any questions regarding your equipment, please do not hesitate to call us at 773-342-4900, and we will be happy to assist you. We are open from 8:30 am-5:00 pm Central Time.

Included in this packet you will find:

Product Literature and Specifications

Assembly Drawing # LHP300-B-A19

Wiring Drawing # LHP300-A-E24

Installation Drawing # LHP300-B-F7

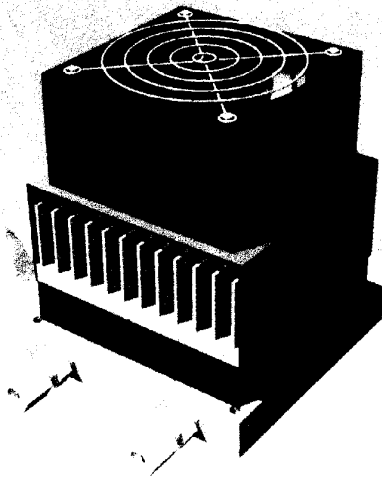
Warranty Information

The logo for teca, featuring the word "teca" in a bold, lowercase, sans-serif font with a registered trademark symbol (®) to the upper right.

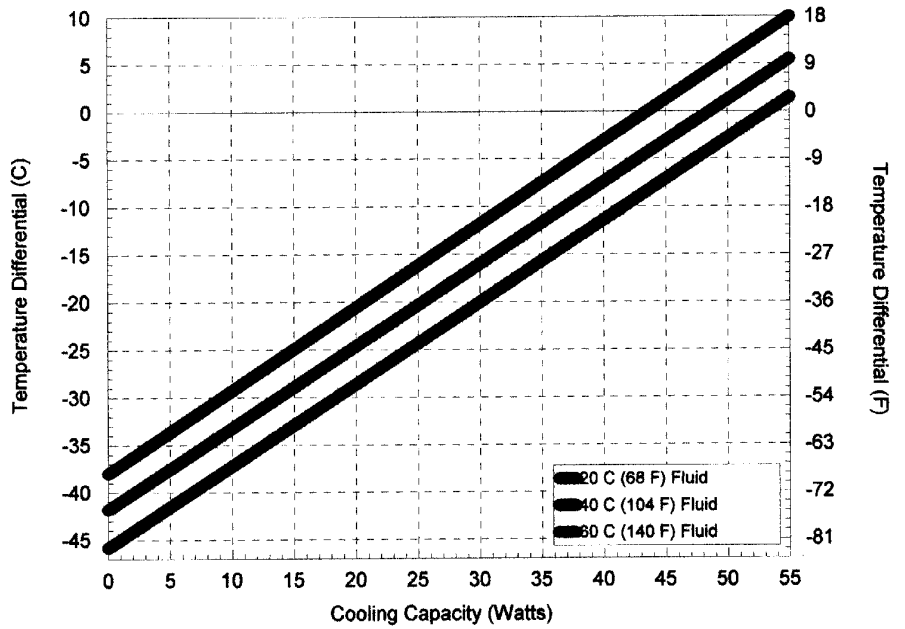
ThermoElectric Cooling America Corporation • 4048 W. Schubert Ave. • Chicago IL (USA) 60639
Phone: 773-342-4900 Fax: 773-342-0191 • www.thermoelectric.com • teca@thermoelectric.com

LHP-300FF

150-175 Btu/Hr
Liquid Cooled, Nema-12



Performance:

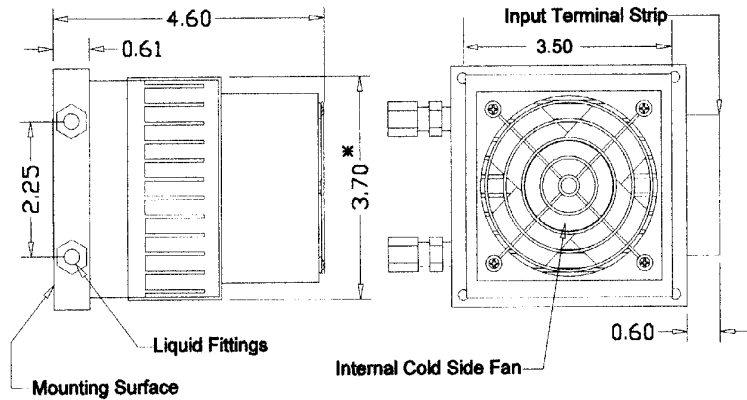
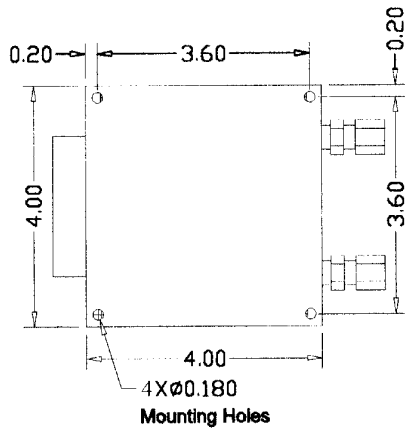


Fluid Temp.	20°C	40°C	60°C
Enclosure Air	$y = .88x - 38$	$y = .88x - 42$	$y = .88x - 46$
Cold Sink	$y = .51x - 38$	$y = .51x - 42$	$y = .51x - 46$

$y = \Delta T (^{\circ}C)$ $x = \text{Capacity (Watts)}$

Specifications

Model	Part Number	Notes	Performance Rating (BTU/hr)	Voltage (VDC)	Current (Amps)	Fan Voltage (VAC)	Weight Lbs. (Kg)	Minimum Flow (GPM)	Operating Range (°C)
LHP-300FF	2-7099-0-000	Cool only, no temperature control	150-175	24	4.5	120	6(2.7)	0.3	0/+70
LHP-300FFHC	2-7099-1-001	Heat/Cool, no temperature control, 24 VDC Heat	150-175	24	4.5	120	6(2.7)	0.3	0/+70
LHP-300FFHC	2-7099-1-000	Heat/Cool, no temperature control, 120 VAC Heat	150-175	24	4.5	120	6(2.7)	0.3	0/+70
LHP-300FF	2-7095-1-000	Heat/Cool, no temperature control, 24 VDC Heat	150-175	24	4.5	24	6(2.7)	0.3	0/+70

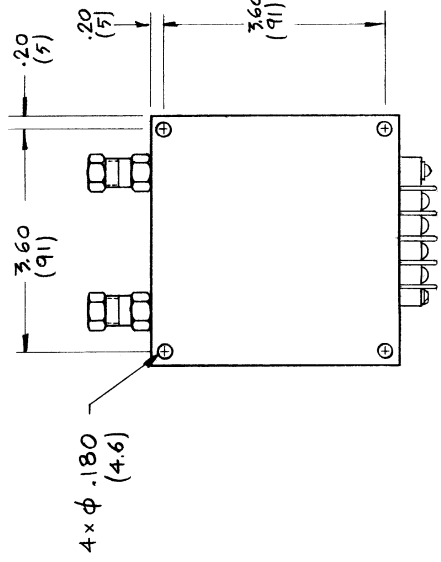
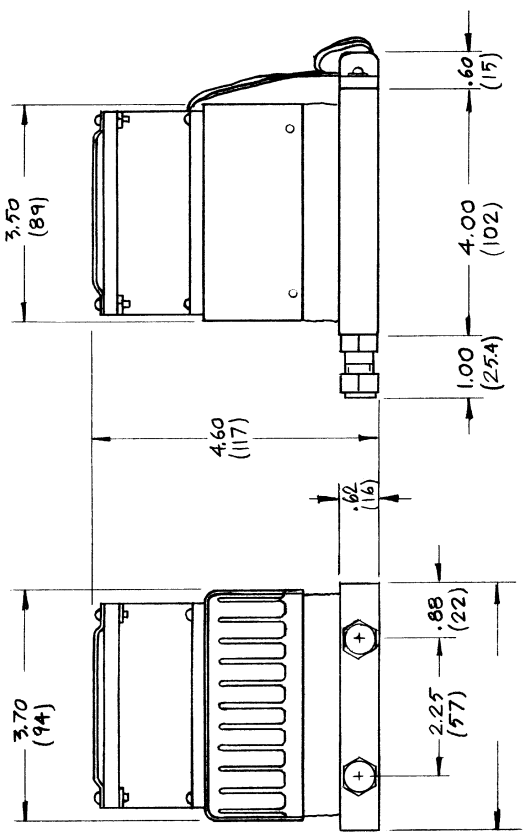


* Dimension does not include hardware, Insulation. Dimensions are in inches.

Call us toll free at 888-TECA-USA (832-2872)

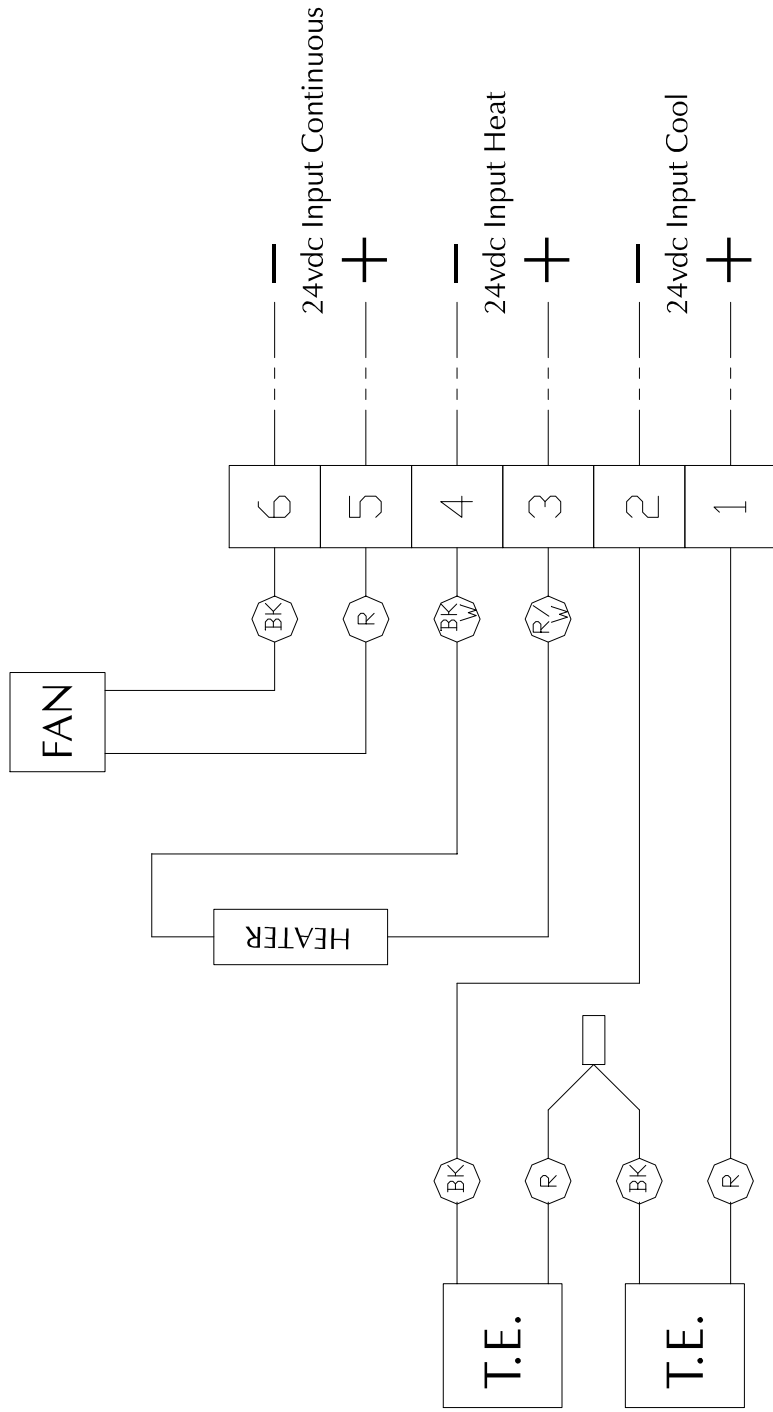
ThermoElectric Cooling America Corporation • 4048 W. Schubert Ave. • Chicago IL (USA) 60639
Phone: 773-342-4900 Fax: 773-342-0191 • www.thermoelectric.com • teca@thermoelectric.com

LTR	DESCRIPTION	DATE	APPROVED
A	REMOVED T.E. CUTOUT VIEW	12.07.93	A A

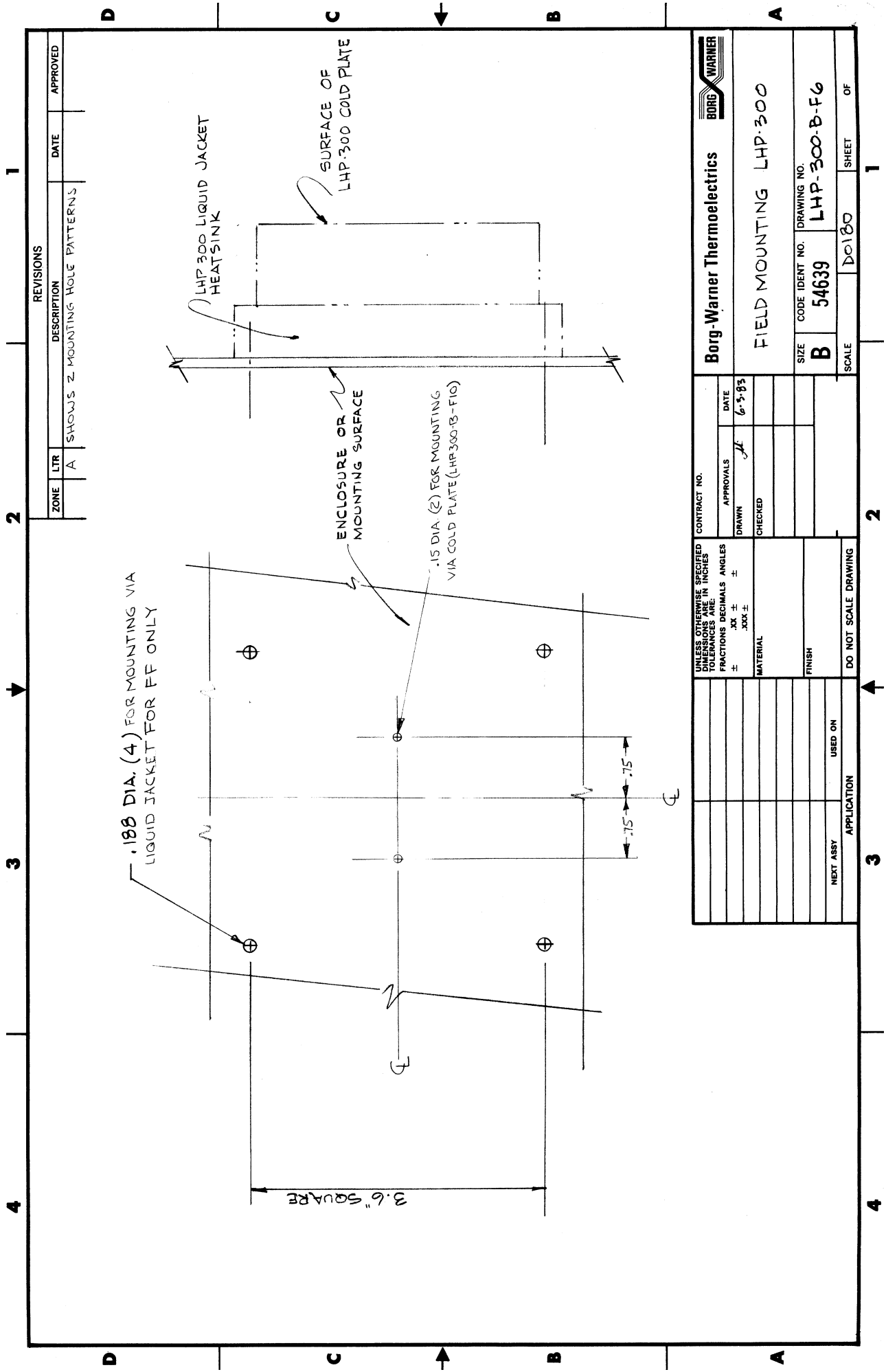


NOTE: DIMENSIONS - INCHES (MILLIMETERS)

UNLESS OTHERWISE SPECIFIED TOLERANCES ARE: FRACTIONS DECIMALS ANGLES + .XX ± .015 + + .XXX ± .005	loca ThermoElectric Cooling America Corp.	
	LHP 300 FF ASSEMBLY	
MATERIAL	FINISH	DRAWING NO. LHP 300-B-A19
APPROVALS	DATE	SIZE B
DRAWN IN	07.10.90	SCALE 1/2
CHECKED		SHEET 1/2
		OF

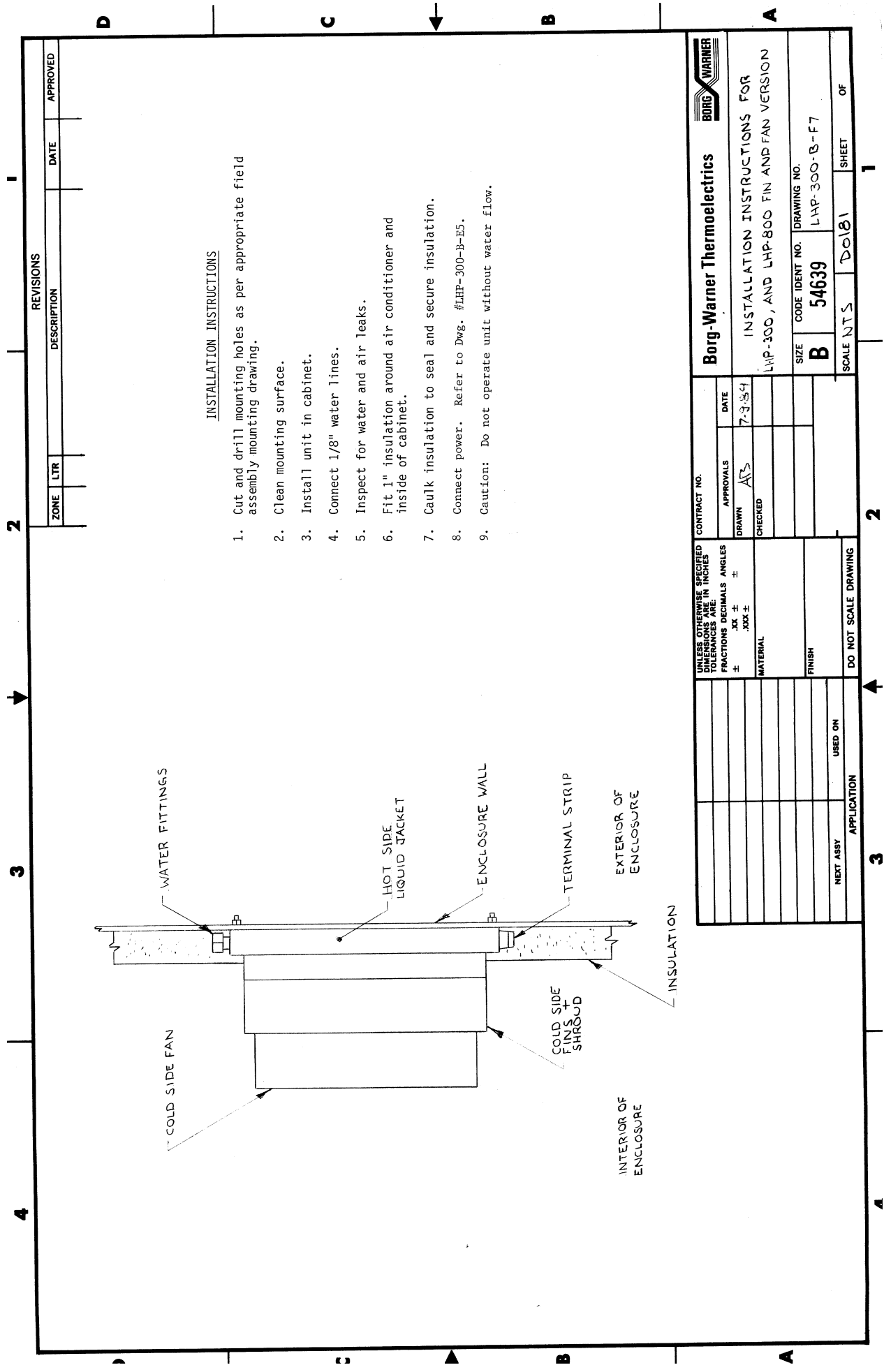


UNLESS OTHERWISE SPECIFIED DIMENSIONS ARE IN INCHES TOLERANCES ARE: DECIMALS .XX +/- FRACTIONS 1/16 +/- ANGLE +/- MATERIAL:		FINISH:	
INFORMATION DISCLOSED HEREIN IS THE CONFIDENTIAL PROPERTY OF TECA CORP. RECIPIENT SHALL NOT USE THE INFORMATION IN ANY UNAUTHORIZED MANNER.		DRAWN BY: AA DATE: 11/01/00 D5528	
THERMOELECTRIC COOLING AMERICA CORP. LHP-300 FFHC 24 VDC WIRING DIAGRAM		DRAWING # LHP300-A-E24 SCALE MASTER: LHP300-A-E20	
REV	DESCRIPTION	Date	APPROVED



REVISIONS		DATE	APPROVED
ZONE	DESCRIPTION		
LTR			
A	SHOWS Z MOUNTING HOLE PATTERNS		

		Borg-Warner Thermoelectrics	
FIELD MOUNTING LHP-300		CONTRACT NO.	
SIZE B	CODE IDENT NO. 54639	DRAWING NO. LHP-300-B-F6	DATE 6-5-83
SCALE D0180	SHEET 1	OF 1	APPROVALS DRAWN: <i>[Signature]</i> CHECKED:
UNLESS OTHERWISE SPECIFIED DIMENSIONS ARE IN INCHES FRACTIONS DECIMALS ANGLES $\pm .XX \pm$ $\pm .XXX \pm$ \pm		MATERIAL:	
NEXT ASSY APPLICATION		FINISH:	
USED ON		DO NOT SCALE DRAWING	



INSTALLATION INSTRUCTIONS

1. Cut and drill mounting holes as per appropriate field assembly mounting drawing.
2. Clean mounting surface.
3. Install unit in cabinet.
4. Connect 1/8" water lines.
5. Inspect for water and air leaks.
6. Fit 1" insulation around air conditioner and inside of cabinet.
7. Caulk insulation to seal and secure insulation.
8. Connect power. Refer to Dwg. #LHP-300-B-E5.
9. Caution: Do not operate unit without water flow.

REVISIONS		DATE	APPROVED
ZONE	LTR		

Borg-Warner Thermoelectrics		BORG-WARNER	
CONTRACT NO.			
APPROVALS	DATE		
DRAWN <i>ATS</i>	7-3-84		
CHECKED			
UNLESS OTHERWISE SPECIFIED DIMENSIONS ARE IN INCHES			
FRACTIONS DECIMALS ANGLES	$\frac{1}{16}$ \pm	$\frac{1}{32}$ \pm	$15'$ \pm
MATERIAL			
FINISH			
DO NOT SCALE DRAWING			
NEXT ASSY	APPLICATION	USED ON	

Borg-Warner Thermoelectrics		BORG-WARNER	
INSTALLATION INSTRUCTIONS FOR			
LHP-300, AND LHP-800 FIN AND FAN VERSION			
SIZE	CODE IDENT NO.	DRAWING NO.	
B	54639	LHP-300-B-F7	
SCALE	NTS	DO/BI	SHEET OF

LIMITED WARRANTY

In the event a defect in material or workmanship is discovered in any of TECA's products within one year after the date they are delivered to Buyer, and if: (a) TECA is notified of the defect in writing by certified mail within 14 days of the date of discovery; (b) TECA may then either, at its sole discretion, inspect the product at Buyer's location, or require that the product be made available at Buyer's expense at TECA's premises for TECA's inspection within 14 days of the date of notification; and (c) the products are defective and the defects result from faulty materials and/or workmanship and not in any way from accident, misuse, misapplication, mishandling, modification, or alteration by the Buyer or the shipper, then TECA shall, at its sole option, repair or exchange defective products free of charge to Buyer, or credit to buyer the price of the defective products. ALL OTHER WARRANTIES, EXPRESS OR IMPLIED, ARE EXCLUDED, INCLUDING BUT NOT LIMITED TO THE IMPLIED WARRANTIES OF MERCHANTABILITY AND FITNESS FOR A PARTICULAR PURPOSE. IN NO EVENT SHALL TECA BE LIABLE FOR ANY CLAIM BASED UPON BREACH OF EXPRESS OR IMPLIED WARRANTY OR ANY OTHER DAMAGES WHETHER SPECIAL, INDIRECT, INCIDENTAL, CONSEQUENTIAL, LOST PROFITS, BUSINESS INTERRUPTION, OR LOSS OF BUSINESS OR CUSTOMER RELATIONSHIPS.

RETURNED GOODS, RESTOCKING CHARGES

In order to return merchandise for any reason (repair, replacement, or credit) a return authorization number must be issued by TECA. New merchandise may not be returned for credit beyond 60 days from shipment. Charges for incidental or other damages may also be made. All returned goods must be sent freight prepaid. A restocking charge of 15% will apply. On special equipment and custom modified equipment orders, additional incremental cancellation charges may be made.