

# Product Information Packet

## Model LHP-1200CPHC

Liquid Cooled Thermoelectric Cold Plate

Heat/Cool Set For Remote Temperature Control

Part #3-3055-1-000

Thank you for your purchase. Information has been enclosed regarding the installation, specifications, and wiring of your solid-state assembly. Please read and follow all instructions carefully before installation. Only qualified technicians should install this equipment.

If you have any questions regarding your equipment, please do not hesitate to call us at 773-342-4900, and we will be happy to assist you. We are open from 8:00 am-4:30 pm Central Time.

Included in this packet you will find:

Installation Notes for Air Conditioners

Product Literature and Specifications

Wiring Drawing # SK090620

Warranty Information

The logo for Teca, featuring the word "teca" in a bold, lowercase, sans-serif font. The letter "t" is stylized with a vertical line extending upwards from its stem.

**ThermoElectric Cooling America Corporation**  
4048 W. Schubert Avenue • Chicago, IL (U.S.A.) 60639  
Ph: 773/342-4900 Fx: 773/342-0191  
sales@thermoelectric.com www.thermoelectric.com

# LHP-1200CP Cold Plate

Liquid Cooled

General Purpose 24 VDC Input

## FEATURES

- No moving parts
- Weighs only 20 lbs. (9.1kg)
- Direct contact cooling as much as 48 °C below liquid temperature
- No compressor, fluorocarbons or filters
- Virtually maintenance-free operation
- Mounts in any orientation



## INCLUDES

- Female 1/4-18 NPT fittings
- Power input leads
- Through bench top or wall mount
- Copper fluid path (stainless steel optional)

## SPECIFICATIONS

MODEL	PART NUMBER	NOTES	PERFORMANCE RATING BTU/HR	VOLTAGE VDC	CURRENT AMPS.	WEIGHT LBS. (KG)	MIN FLOW GPM	TEMP. CONTROL	OPERATING AMBIENT °C
LHP-1200CP	3-3095-0-000	Cool only	1360-1630	24	9.0	20(9.1)	0.3	none	0/+70
LHP-1200CP	3-3053-0-000	Cool only	1360-1630	24	9.0	20(9.1)	0.3	EXT *	0/+70
LHP-1200CPHC	3-3055-1-000	Heat/Cool	1360-1630	24	9.0	20(9.1)	0.3	EXT †	0/+70

\* Unit is set for 5-32 VDC external signal, relay included

† Unit is set for 5-32 VDC external signal, H-Bridge quad relay(s) included  
For stainless steel fluid path contact TECA

# LHP-1200CP

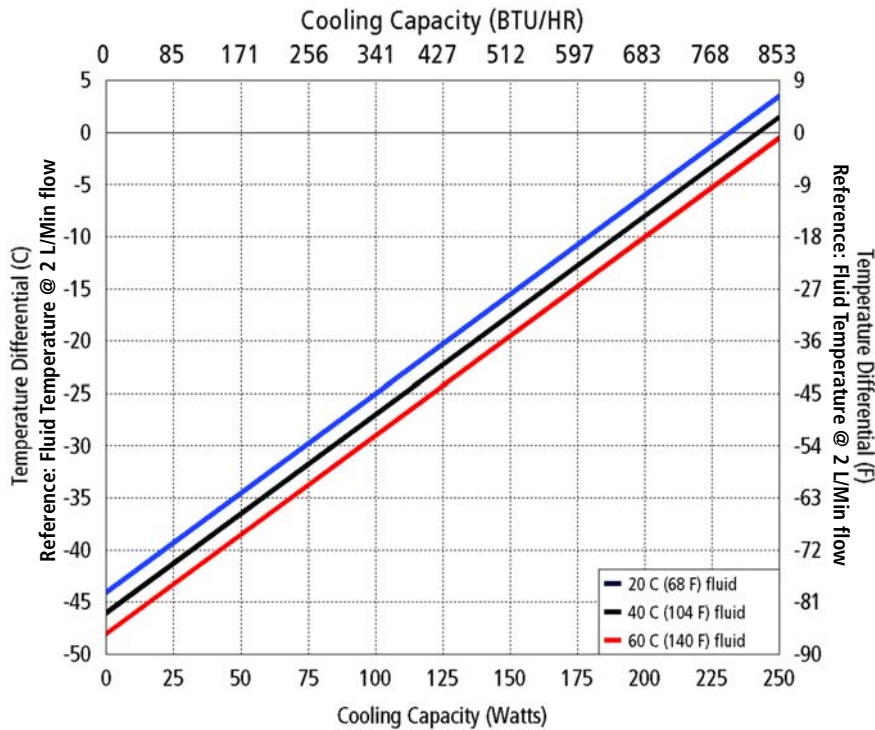
## ENVIRONMENTS

Bench Top, Factory, Industrial, OEM  
from harsh to benign environments

## COOLING CAPACITY

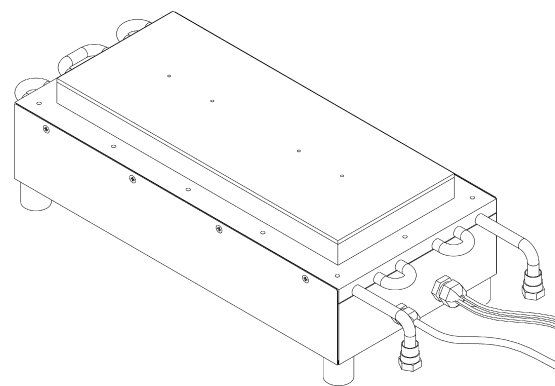
260 Watts @ 0 °C ΔT

## PERFORMANCE CURVE

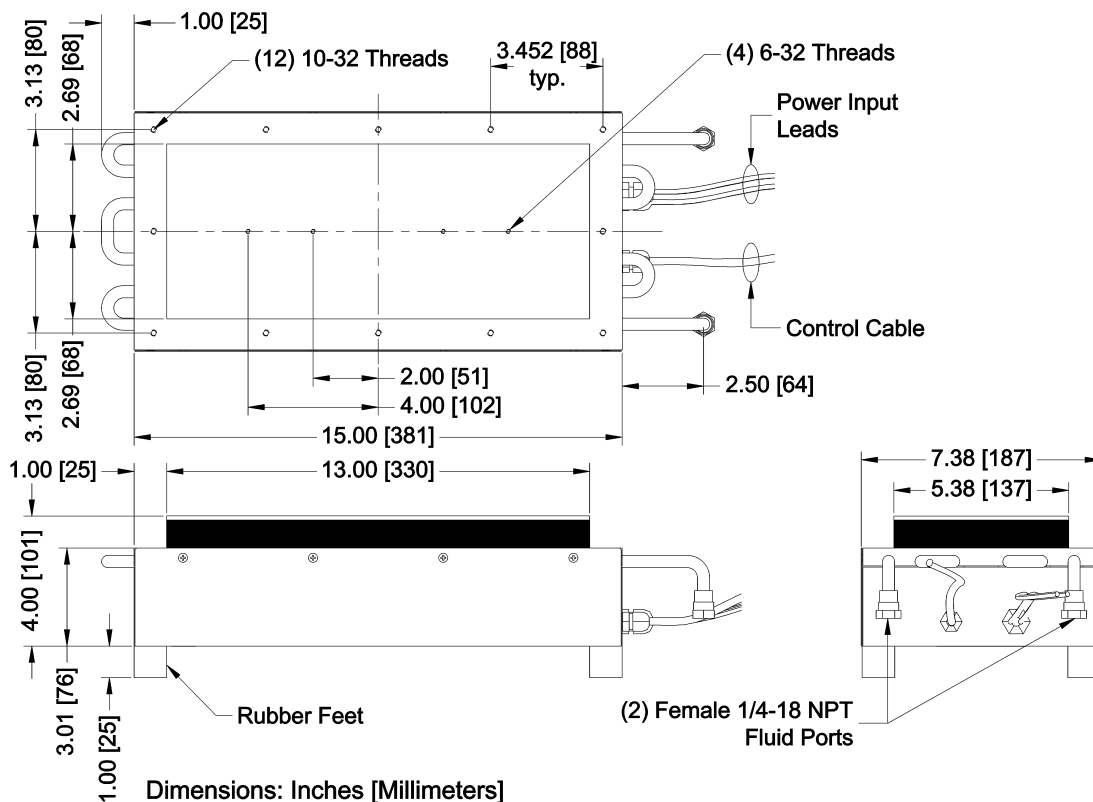


Equation of line:  $y = \Delta T(^{\circ}C)$   $x = \text{Capacity (Watts)}$

Fluid Temp	20°C	40°C	60°C
Cold Plate Temp	$y = .19x - 44.0$	$y = .19x - 46.0$	$y = .19x - 48.0$



## DIMENSIONS

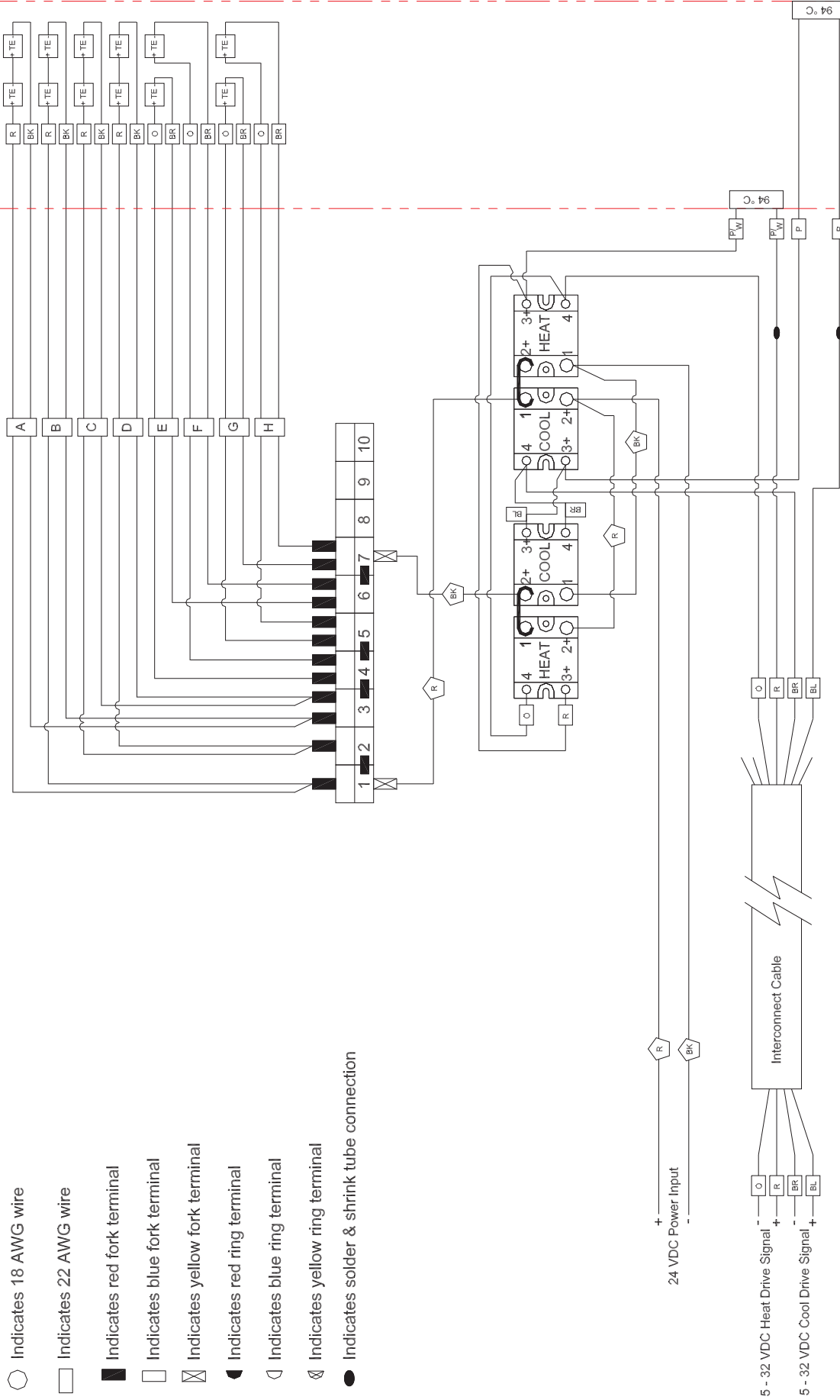


Hot Side

Cold Side

TE

- Indicates 12 AWG wire
- Indicates 18 AWG wire
- Indicates 22 AWG wire
- Indicates red fork terminal
- Indicates blue fork terminal
- Indicates yellow fork terminal
- Indicates red ring terminal
- Indicates blue ring terminal
- Indicates yellow ring terminal
- Indicates solder & shrink tube connection



UNLESS OTHERWISE SPECIFIED  
DIMENSIONS ARE IN INCHES  
TOLERANCES ARE:  
DECIMALS .0005 +/-  
ANGLE .0005 +/-  
FRACTION 1/16 +/-  
MATERIAL:  
FINISH:

INFORMATION DISCLOSED  
HEREIN IS THE  
CONFIDENTIAL PROPERTY  
OF TECA CORP. RECIPIENT  
SHALL NOT USE THE  
INFORMATION IN ANY  
UNAUTHORIZED MANNER.

**THERMOELECTRIC COOLING AMERICA CORP.**

**LHP-1200CPHC WITH REMOTE TC  
WIRING DIAGRAM**

DRAWN BY: AA

DATE: 06/15/09

DRAWING #  
SK090620

SCALE  
D7608

MASTER:  
SK090611

REV  
LEVEL

SHEET

REV	DESCRIPTION	Date	APPROVED

## LIMITED WARRANTY

In the event a defect in material or workmanship is discovered in any of TECA's products within one year after the date they are delivered to Buyer, and if: (a) TECA is notified of the defect in writing by certified mail within 14 days of the date of discovery; (b) TECA may then either, at its sole discretion, inspect the product at Buyer's location, or require that the product be made available at Buyer's expense at TECA's premises for TECA's inspection within 14 days of the date of notification; and (c ) the products are defective and the defects result from faulty materials and/or workmanship and not in any way from accident, misuse, misapplication, mishandling, modification, or alteration by the Buyer or the shipper, then TECA shall, at its sole option, repair or exchange defective products free of charge to Buyer, or credit to buyer the price of the defective products. ALL OTHER WARRANTIES, EXPRESS OR IMPLIED, ARE EXCLUDED, INCLUDING BUT NOT LIMITED TO THE IMPLIED WARRANTIES OF MERCHANTABILITY AND FITNESS FOR A PARTICULAR PURPOSE. IN NO EVENT SHALL TECA BE LIABLE FOR ANY CLAIM BASED UPON BREACH OF EXPRESS OR IMPLIED WARRANTY OR ANY OTHER DAMAGES WHETHER SPECIAL, INDIRECT, INCIDENTAL, CONSEQUENTIAL, LOST PROFITS, BUSINESS INTERRUPTION, OR LOSS OF BUSINESS OR CUSTOMER RELATIONSHIPS.

## RETURNED GOODS, RESTOCKING CHARGES

In order to return merchandise for any reason ( repair, replacement, or credit) a return authorization number must be issued by TECA. New merchandise may not be returned for credit beyond 60 days from shipment. Charges for incidental or other damages may also be made. All returned goods must be sent freight prepaid. A restocking charge of 15% will apply. On special equipment and custom modified equipment orders, additional incremental cancellation charges may be made.