

Product Information Packet

Model LHP-800FF

Solid State Liquid Cooled Air Conditioner
without Temperature Control

Part #2-5095-0-000

Thank you for your purchase. Information has been enclosed regarding the installation, specifications, and wiring of your solid-state assembly. Please read and follow all instructions carefully before installation. Only qualified technicians should install this equipment.

If you have any questions regarding your equipment, please do not hesitate to call us at 773-342-4900, and we will be happy to assist you. We are open from 8:30 am-5:00 pm Central Time.

Included in this packet you will find:

Product Literature and Specifications

Assembly Drawing #LHP800-B-A18

Wiring Drawing #SK060914

Installation Drawing #LHP800-B-F36

Warranty Information

The logo for Teca, featuring the word "teca" in a bold, lowercase, sans-serif font. The letter "t" is stylized with a vertical line extending upwards from its stem. The logo is positioned on the left side of the page, above a horizontal line.

ThermoElectric Cooling America Corporation
4048 W. Schubert Avenue • Chicago, IL (U.S.A.) 60639
Ph: 773/342-4900 Fx: 773/342-0191
sales@thermoelectric.com www.thermoelectric.com

LHP-800FF

LHP-300FF

Thermoelectric Air Conditioner

Liquid Cooled
Thru Mount
Nema-12

FEATURES

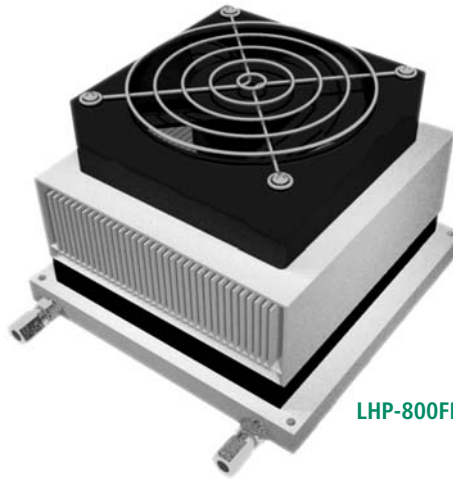
- Compact
- Light weight
- Ambient range 0°C to +70°C
- No compressor, fluorocarbons or filters
- Adaptable to NEMA-4 and explosion proof applications. Can be mounted entirely inside purged enclosure
- Virtually maintenance-free operation
- Mounts in any orientation

INCLUDES

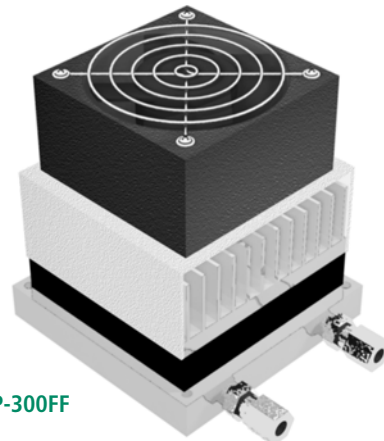
- Compression fittings
- Terminal strip for wire hook up

APPLICATIONS

Used in laboratory equipment and specialized systems world wide.



LHP-800FF



LHP-300FF

SPECIFICATIONS LHP-800FF

MODEL	PART NUMBER	NOTES	PERFORMANCE RATING BTU/HR	VOLTAGE VDC	CURRENT AMPS.	FAN VOLTAGE VDC	WEIGHT LBS (kg)	MIN FLOW GPM	OPERATING AMBIENT °C
LHP-800FF	2-5095-0-000	Cool only	460-540	24	14	24	6(2.7)	0.3	0/+70
LHP-800FFHC	2-5099-1-000	Heat/Cool	460-540	24	14	24	6(2.7)	0.3	0/+70

Note: No provision for temperature control is included. Consult factory for options.

SPECIFICATIONS LHP-300FF

MODEL	PART NUMBER	NOTES	PERFORMANCE RATING BTU/HR	VOLTAGE VDC	CURRENT AMPS.	HEAT WATTS	WEIGHT LBS (kg)	MIN FLOW GPM	OPERATING AMBIENT °C
LHP-300FF	2-7098-0-000	Cool only	150-175	12/24	12/6	N/A	2.75(1.25)	0.3	0/+70
LHP-300FFHC	2-7095-1-000	Heat/Cool, 24 VDC Heat	150-175	24	6	75	2.75(1.25)	0.3	0/+70

Note: No provision for temperature control is included. Consult factory for options.

See also, "Power Supplies", P. 67

LHP-800FF

MOUNTING STYLE

Internal

RATING (TRADITIONAL)

500 BTU/hr @ 0 °F ΔT

615 BTU/hr @ +20 °F ΔT *

RATING (DIN 3168)

146 Watts L35 L35

105 Watts L35 L50

LHP-300FF

MOUNTING STYLE

Internal

RATING (TRADITIONAL)

160 BTU/hr @ 0 °F ΔT

200 BTU/hr @ +20 °F ΔT *

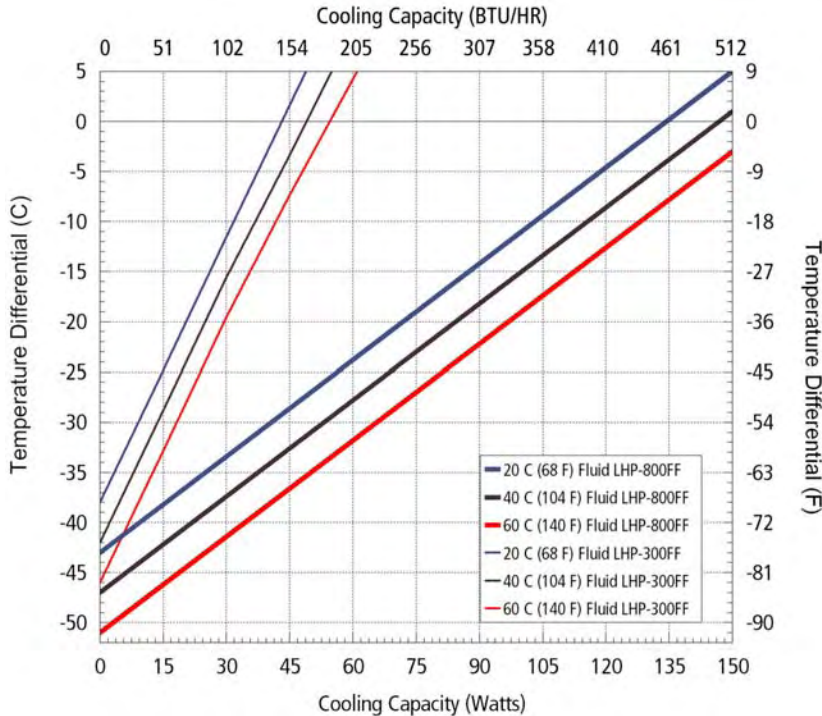
RATING (DIN 3168)

48 Watts L35 L35

34 Watts L35 L50

* See page 6

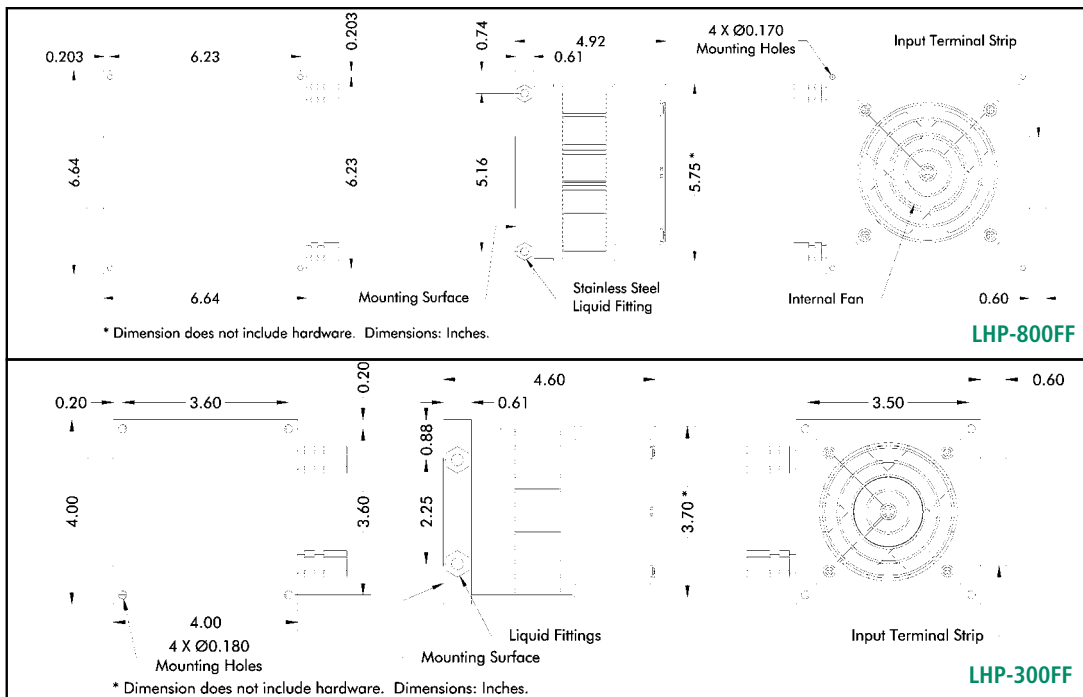
PERFORMANCE CURVE

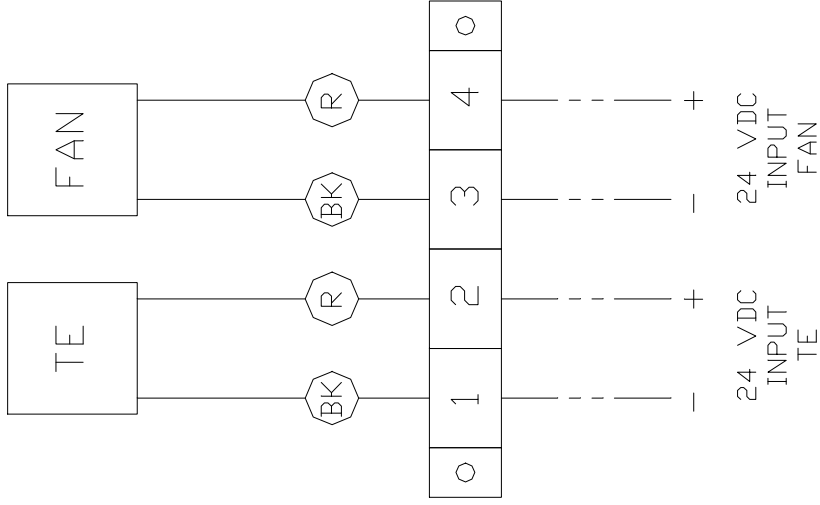


Equation of line: $y = \Delta T(^{\circ}C)$ $x = \text{Capacity (Watts)}$

Fluid Temp	20°C	40°C	60°C
LHP-800FF	$y = .32x - 43.0$	$y = .32x - 47.0$	$y = .32x - 51.0$
LHP-300FF	$y = .88x - 38.0$	$y = .88x - 42.0$	$y = .88x - 46.0$

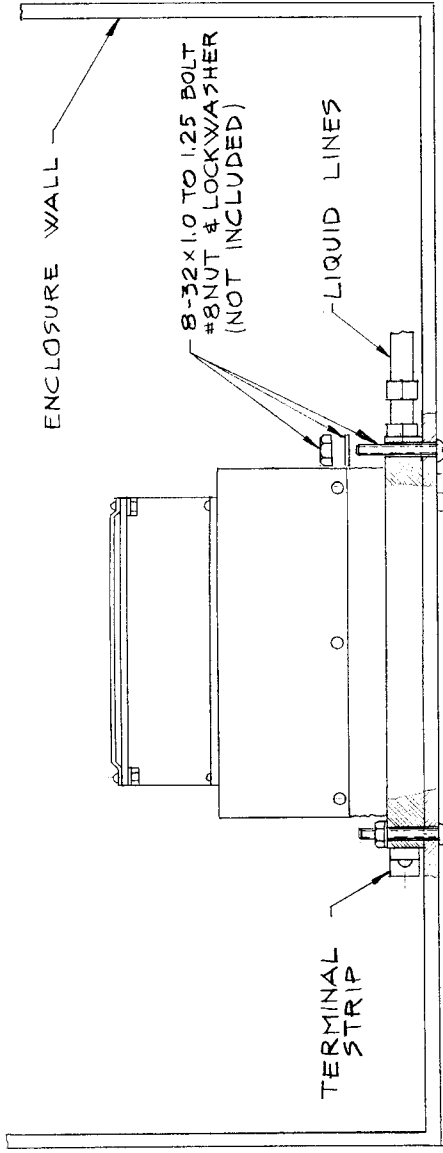
DIMENSIONS



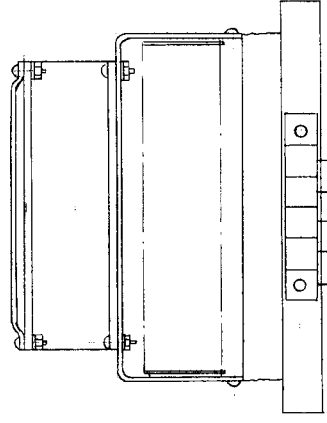


REV	DESCRIPTION	Date	APPROVED	THERMOELECTRIC COOLING AMERICA CORP.			
				LHP-800FF WIRING DIAGRAM			
				DRAWN BY: AA	DRAWING #	REV. LEVEL	
				DATE: 09/06/06	SK060914		
				D6717	SCALE	MASTER: SK060905	SHEET
INFORMATION DISCLOSED HEREIN IS THE CONFIDENTIAL PROPERTY OF TECA CORP. RECIPIENT SHALL NOT USE THE INFORMATION IN ANY UNAUTHORIZED MANNER.				UNLESS OTHERWISE SPECIFIED DIMENSIONS ARE IN INCHES			
FINISH:				DECIMALS	ANGLE	TOLERANCES ARE:	
				.XX +/-	+/-	+/-	
				.XXX +/-	+/-	FRACTION	
				MATERIAL:			

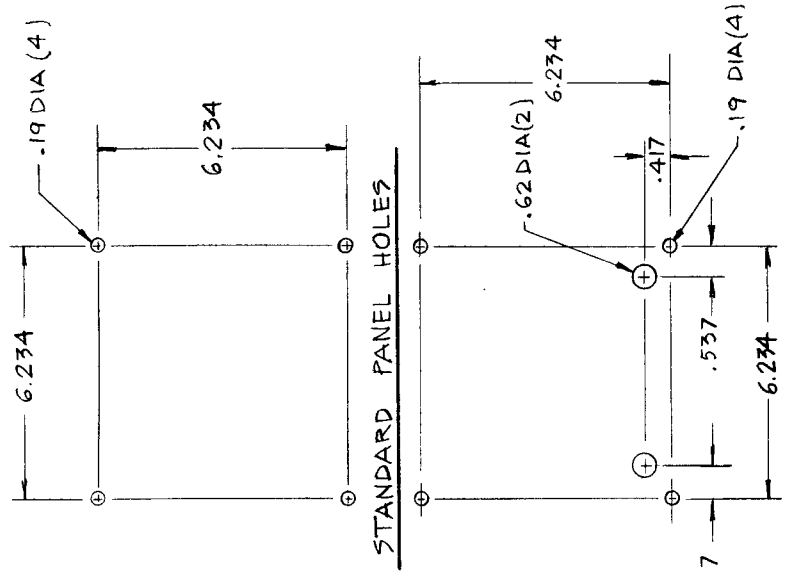
LTR	DESCRIPTION	DATE	APPROVED
-----	-------------	------	----------



MOUNTING



WIRING



PANEL HOLES WITH OPTIONAL 90° FITTING

UNLESS OTHERWISE SPECIFIED DIMENSIONS IN INCHES TOLERANCES ARE:	
FRACTIONS	DECIMALS ANGLES
XX ± .015 ±	
XXX ± .005	
MATERIAL	
FINISH	
APPROVALS	DATE
DRAWN A.A.	11-02-95
CHECKED	

 ThermoElectric Cooling America Corp.	
FIELD MOUNTING	
LHP 800 FF	
SIZE	DRAWING NO.
B	LHP 800-B-F36
SCALE N.T.S.	SHEET 3703
	OF

LIMITED WARRANTY

In the event a defect in material or workmanship is discovered in any of TECA's products within one year after the date they are delivered to Buyer, and if: (a) TECA is notified of the defect in writing by certified mail within 14 days of the date of discovery; (b) TECA may then either, at its sole discretion, inspect the product at Buyer's location, or require that the product be made available at Buyer's expense at TECA's premises for TECA's inspection within 14 days of the date of notification; and (c) the products are defective and the defects result from faulty materials and/or workmanship and not in any way from accident, misuse, misapplication, mishandling, modification, or alteration by the Buyer or the shipper, then TECA shall, at its sole option, repair or exchange defective products free of charge to Buyer, or credit to buyer the price of the defective products. ALL OTHER WARRANTIES, EXPRESS OR IMPLIED, ARE EXCLUDED, INCLUDING BUT NOT LIMITED TO THE IMPLIED WARRANTIES OF MERCHANTABILITY AND FITNESS FOR A PARTICULAR PURPOSE. IN NO EVENT SHALL TECA BE LIABLE FOR ANY CLAIM BASED UPON BREACH OF EXPRESS OR IMPLIED WARRANTY OR ANY OTHER DAMAGES WHETHER SPECIAL, INDIRECT, INCIDENTAL, CONSEQUENTIAL, LOST PROFITS, BUSINESS INTERRUPTION, OR LOSS OF BUSINESS OR CUSTOMER RELATIONSHIPS.

RETURNED GOODS, RESTOCKING CHARGES

In order to return merchandise for any reason (repair, replacement, or credit) a return authorization number must be issued by TECA. New merchandise may not be returned for credit beyond 60 days from shipment. Charges for incidental or other damages may also be made. All returned goods must be sent freight prepaid. A restocking charge of 15% will apply. On special equipment and custom modified equipment orders, additional incremental cancellation charges may be made.