

Product Information Packet

Model AHP-1200XE

NEMA-4, Solid State Air Conditioner, 24 VDC

Set for Remote Temperature Control

Part #0-3055-4-000

Thank you for your purchase. Information has been enclosed regarding the installation, specifications, and wiring of your solid-state assembly. Please read and follow all instructions carefully before installation. Only qualified technicians should install this equipment.

If you have any questions regarding your equipment, please do not hesitate to call us at 773-342-4900, and we will be happy to assist you. We are open from 8:30 am-5:00 pm Central Time.

Included in this packet you will find:

Installation Notes for Air Conditioners

Product Literature and Specifications

Assembly Drawing # 1200-B-A13

Wiring Drawing # SK060956

Installation Drawing # 1200-A-F57

Warranty Information

The logo for Teca, featuring the word "teca" in a bold, lowercase, sans-serif font. The letter "t" is stylized with a vertical line extending upwards from its left side.

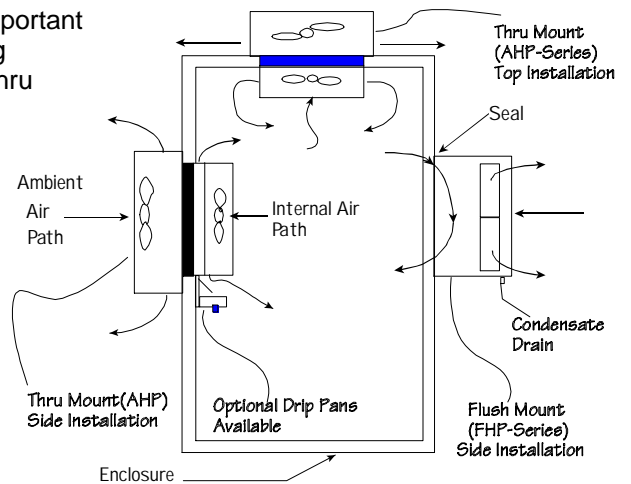
ThermoElectric Cooling America Corporation
4048 W. Schubert Avenue • Chicago, IL (U.S.A.) 60639
Ph: 773/342-4900 Fx: 773/342-0191
sales@thermoelectric.com www.thermoelectric.com

Important Installation Notes for Air Conditioners

Mounting Styles: Both 'thru mount' and 'flush mount' units can be positioned in any orientation and on any enclosure surface. It is important to consider interior air flow patterns when determining the mounting location. Also of importance is an unrestricted flow of ambient air thru the hot side heat exchanger. Ease of access and inspection must be considered for those applications in particularly severe environments which may require occasional maintenance.

Vertical (Side/Front/Back) Mounting:

Vertical mounting refers to the vertical direction of the cold side or interior fins and is recommended for applications with high humidity, poor and incomplete cabinet seals or any condition which may cause the cold side fins to be maintained at temperatures below the dew point for long periods of time allowing for the formation of condensation. The vertical fin direction provides a drip path whereupon condensation can be collected via a moisture removal system (standard on FHP-units) or a drip pan positioned below the cold side fins. Drip pans are optional for thru mount units.



Condensate Removal System:

All FHP-Series and AHP-1400 air conditioners contain a built-in condensate removal system. The condensate kit consists of a antifungal sponge with a condensate wick. PVC tubing is also provided for drainage. Drip pans are optional for thru mount units which must be evaluated on an individual basis. Equations defining a relationship between the cold side fin and enclosure temperatures are provided to assist in the evaluation.

Top Mounting:

Though often the easiest location to mount it is often the most difficult to protect from condensation in this orientation due to the fin orientation, gravity and any susceptible components below. If a drip pan is employed by the end user use caution to place the pan far enough away from the internal fan to minimize the restriction of air flow. The pan should cover the fin ends as well as the fan area. When there is a choice, the vertical orientation is preferred by most users.

Maintenance:

Since the technology is solid-state, there are no filters, compressors, or fluorocarbons to maintain. The only moving parts are the fans. It is recommended for harsh or dirty environments that the heat sinks be cleaned from time to time. This can be accomplished by directing compressed air over the external fins or on NEMA 4 versions by hosing the unit down. This will increase the overall life and performance of the system.

Cautions:

Take care when mounting not to damage the seal between the hot and cold side sinks. Do not attempt to mount a unit to a warped surface or try to make the units mounting surface conform to an unflat surface. Do not pinch or damage any leads when mounting. Do not over tighten any installation screw, use reasonable force. Always mount with any condensate drain down. Do not compress the cold side between the hot side and any other surface. Do not obstruct the airflow on either side. When mounting consider the natural air flows of the enclosure. Connect power only after the installation is complete.

Notes on condensation:

Condensation occurs at the cold side fins when the surface temperature goes below the dew point. To reduce or remove condensate, consider the following:

- Regulate the Fin Temperature above the Dewpoint.
- Keep Enclosure Closed and Sealed from Outside Humidity.
- Use Desiccant (Moisture absorbing Granules.)
- Employ Condensate Removal System/Drip Pans.

If you have any questions regarding your installation, Please feel free to contact our technical department for assistance at 773-342-4900.

AHP-1200 Air Conditioner

Air Cooled
Thru Mount
NEMA-12, 4,4X

24 VDC Input

FEATURES

- Compact, (only 15" L X 7.35" W X 8.17" D)
- Weighs only 18 lbs. (8.2 kg)
- Excels in high ambient temperatures
- Environmentally safe
- Dual efficiency versions available
- No compressor, fluorocarbons or filters
- Virtually maintenance-free operation
- Stainless steel exterior housing
- Versions to withstand corrosive environments, shock and vibration
- Mounts and operates in any orientation

INCLUDES

- Adjustable temperature control
- Gasket and mounting hardware
- Power input leads



SPECIFICATIONS

	MODEL	PART NUMBER	NOTES	PERFORMANCE RATING BTU/HR	VOLTAGE VDC	RUNNING CURRENT AMPS.	WEIGHT LBS.(KG)	TEMP. CONTROL *	OPERATING AMBIENT °C	AGENCY APPROVALS (ETL)
NEMA 1	→ AHP-1200	0-3095-0-000	Cool only	512-580	24	9.0	18 (8.2)	NONE	-10/+70	PENDING
	AHP-1200	0-3085-0-000	Cool only	512-580	24	9.0	18 (8.2)	TC-6F	-10/+70	PENDING
2	AHP-1200	0-30F5-0-000	Cool only	512-580	24	9.0	18 (8.2)	85°F (30°)	-10/+70	PENDING
	AHP-1200	0-3055-0-000	Cool only	512-580	24	9.0	18 (8.2)	EXT*	-10/+70	PENDING
NEMA 4	AHP-1200HC	0-3035-1-000	Heat/Cool	512-580	24	9.0	18 (8.2)	TC-3F	-10/+70	PENDING
	→ AHP-1200HC	0-3055-1-000	Heat/Cool	512-580	24	9.0	18 (8.2)	EXT**	-10/+70	PENDING
X	→ AHP-1200XE	0-3095-4-000	Cool only	512-580	24	9.0	18 (8.2)	NONE	-28/+70	PENDING
	AHP-1200XE	0-3085-4-000	Cool only	512-580	24	9.0	18 (8.2)	TC-6F	-28/+70	PENDING
4	AHP-1200XE	0-30F5-4-000	Cool only	512-580	24	9.0	18 (8.2)	85°F (30°)	-28/+70	PENDING
	AHP-1200XE	0-3055-4-000	Cool only	512-580	24	9.0	18 (8.2)	EXT*	-28/+70	PENDING
X	AHP-1200XEHC	0-3035-5-000	Heat/Cool	512-580	24	9.0	18 (8.2)	TC-3F	-28/+70	PENDING
	AHP-1200XEHC	0-3055-5-000	Heat/Cool	512-580	24	9.0	18 (8.2)	EXT**	-28/+70	PENDING
X	AHP-1200X	0-3095-2-000	Cool only	512-580	24	9.0	18 (8.2)	NONE	-28/+70	PENDING
	AHP-1200X	0-3085-2-000	Cool only	512-580	24	9.0	18 (8.2)	TC-6F	-28/+70	PENDING
X	AHP-1200X	0-30F5-2-000	Cool only	512-580	24	9.0	18 (8.2)	85°F (30°)	-28/+70	PENDING
	AHP-1200X	0-3055-2-000	Cool only	512-580	24	9.0	18 (8.2)	EXT*	-28/+70	PENDING
X	AHP-1200XHC	0-3035-3-000	Heat/Cool	512-580	24	9.0	18 (8.2)	TC-3F	-28/+70	PENDING
	→ AHP-1200XHC	0-3055-3-000	Heat/Cool	512-580	24	9.0	18 (8.2)	EXT**	-28/+70	PENDING

* Unit is set for 5-32 VDC external signal, relay(s) included

For other voltages contact TECA

** Unit is set for 5-32 VDC external signal, H-Bridge relay(s) included

For full shock and vibration model AHP-1200XM contact TECA

AHP-1200

MOUNTING STYLE

Thru Mount

ENVIRONMENTS

NEMA-12 IP 40 (maintains IP 52)

NEMA-4,4X IP 56

RATING (TRADITIONAL)

530 BTU/hr @ 0 °F ΔT

670 BTU/hr @ +20 °F ΔT *

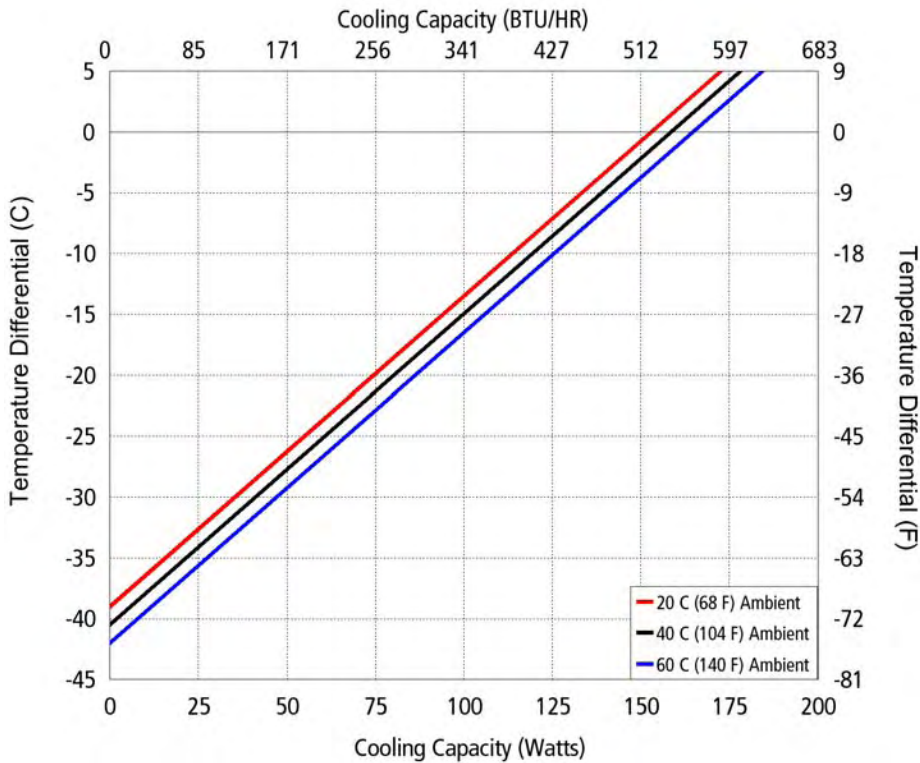
RATING (DIN 3168)

154 Watts L35 L35

100 Watts L35 L50

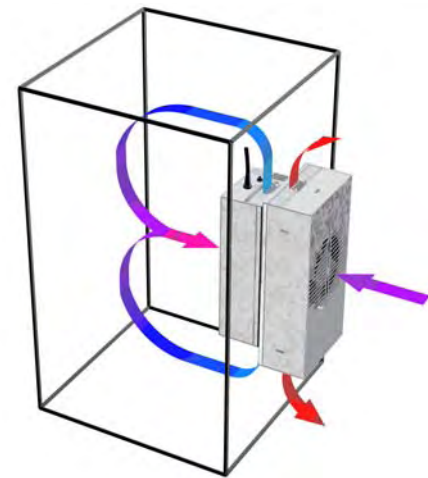
* See page 10

PERFORMANCE CURVE



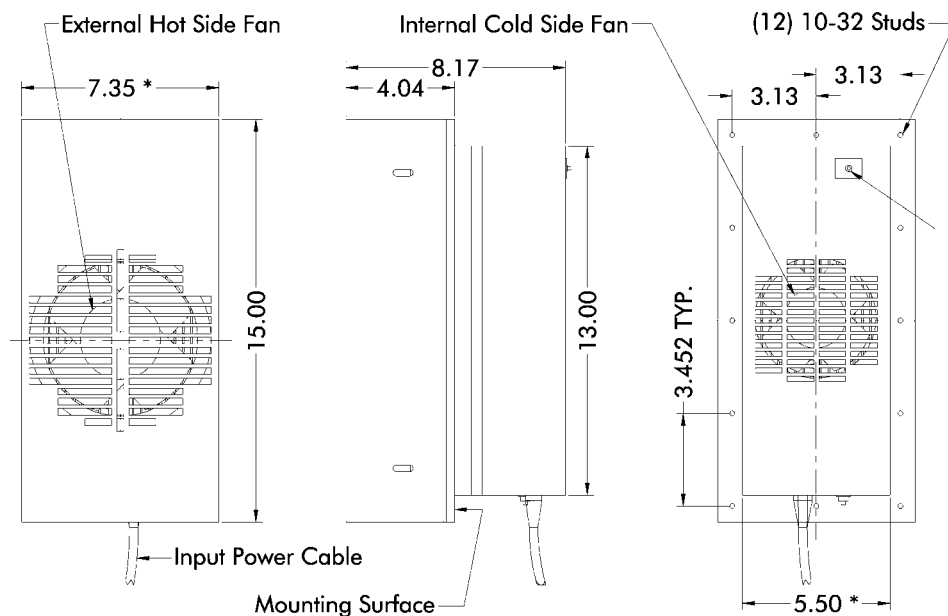
Equation of line: $y = \Delta T(^{\circ}C) \quad x = \text{Capacity (Watts)}$

Ambient Temp	20°C	40°C	60°C
Enclosure Air	$y = .255x - 39.0$	$y = .255x - 41.0$	$y = .255x - 42.0$
Cold Sink	$y = .166x - 39.0$	$y = .166x - 41.0$	$y = .166x - 42.0$

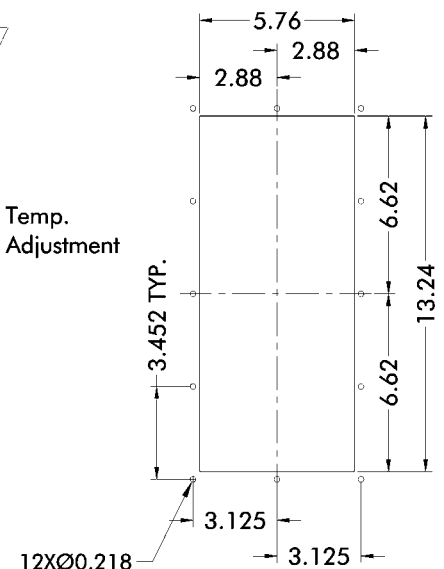


Air Flow Pattern

DIMENSIONS



MOUNTING CUTOUT DIMENSIONS



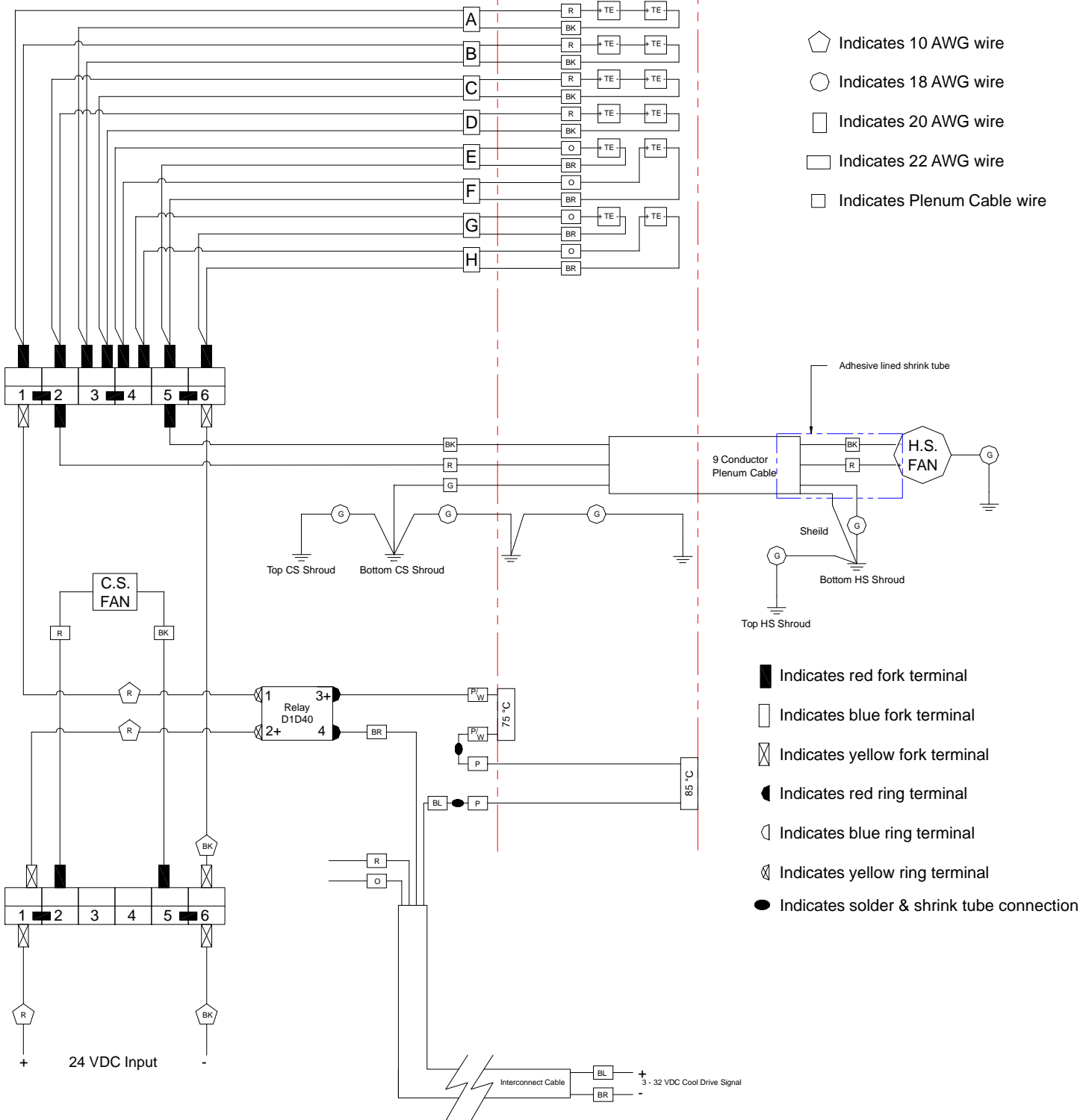
* Dimension does not include hardware. Dimensions: Inches, Mounting hardware and gasket included but not shown.

REV	DESCRIPTION	Date	APPROVED

Cold Side

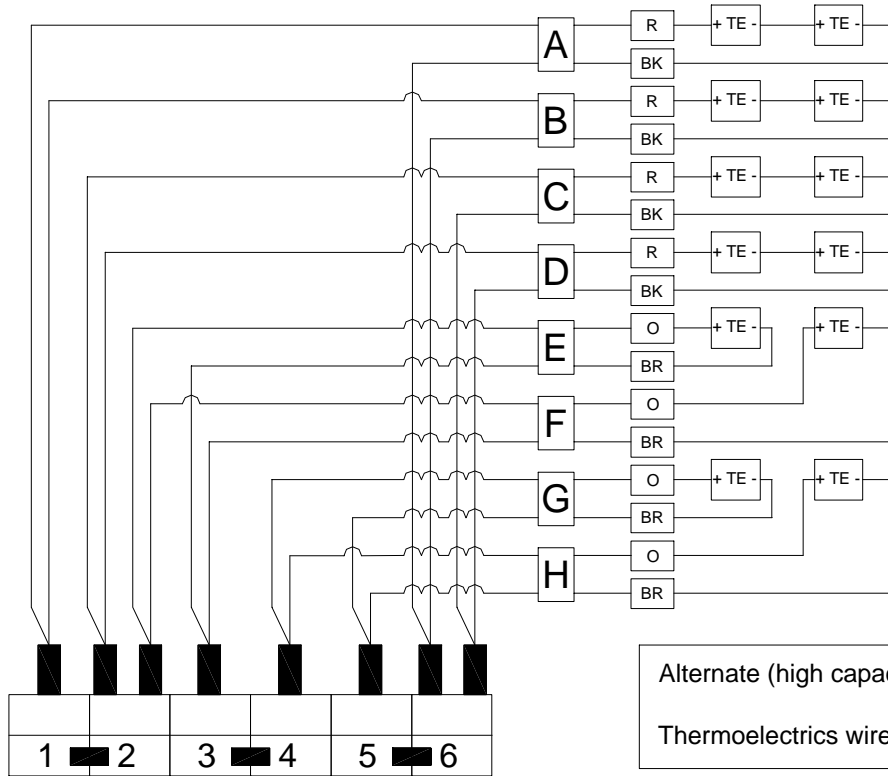
TE

Hot Side

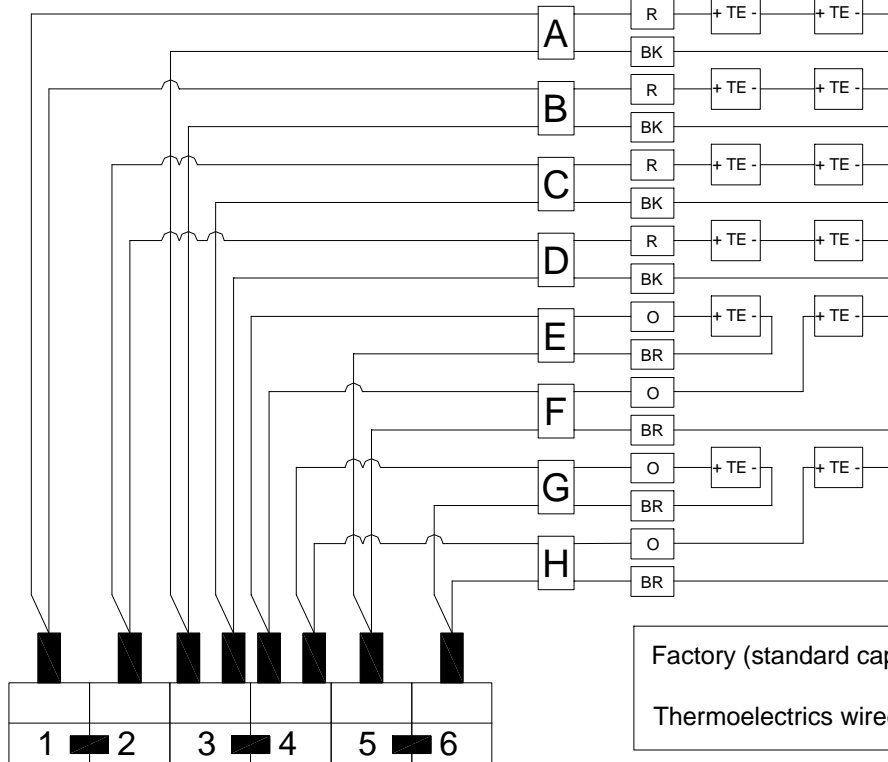


INFORMATION DISCLOSED HEREIN IS THE CONFIDENTIAL PROPERTY OF TECA CORP. RECIPIENT SHALL NOT USE THE INFORMATION IN ANY UNAUTHORIZED MANNER.	UNLESS OTHERWISE SPECIFIED DIMENSIONS ARE IN INCHES TOLERANCES ARE:	THERMOELECTRIC COOLING AMERICA CORP.							
	<table border="1"> <tr> <td>DECIMALS</td> <td>ANGLE</td> </tr> <tr> <td>.XX +/-</td> <td>+/-</td> </tr> <tr> <td>.XXX +/-</td> <td>FRACTION +/-</td> </tr> </table>	DECIMALS	ANGLE	.XX +/-	+/-	.XXX +/-	FRACTION +/-	AHP-1200XE 24 VDC SET FOR REMOTE CONTROL WIRING DIAGRAM	
DECIMALS	ANGLE								
.XX +/-	+/-								
.XXX +/-	FRACTION +/-								
FINISH:	MATERIAL:	DRAWN BY:	DRAWING #	REV LEVEL					
		AA	SK060956						
		DATE:	SCALE	MASTER:					
		09/20/06		SK060942					
		D6759		SHEET					

REV	DESCRIPTION	Date	APPROVED



Alternate (high capacity) TE wiring:
Thermoelectrics wired for 12 VDC/TE.

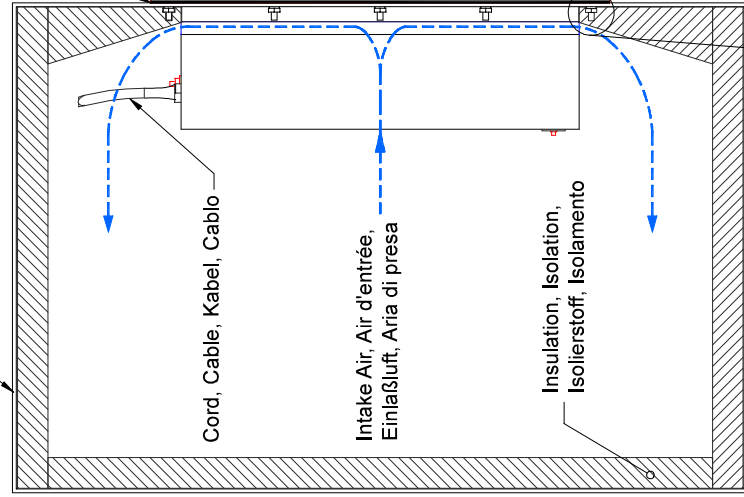


Factory (standard capacity) TE wiring:
Thermoelectrics wired for 8 VDC/TE.

INFORMATION DISCLOSED HEREIN IS THE CONFIDENTIAL PROPERTY OF TECA CORP. RECIPIENT SHALL NOT USE THE INFORMATION IN ANY UNAUTHORIZED MANNER. FINISH:	UNLESS OTHERWISE SPECIFIED DIMENSIONS ARE IN INCHES TOLERANCES ARE:	THERMOELECTRIC COOLING AMERICA CORP.		REV LEVEL								
	<table border="1"> <tr> <td>DECIMALS</td> <td>ANGLE</td> </tr> <tr> <td>.XX +/-</td> <td>+/-</td> </tr> <tr> <td>.XXX +/-</td> <td>FRACTION</td> </tr> <tr> <td></td> <td>+/-</td> </tr> </table>	DECIMALS	ANGLE		.XX +/-	+/-	.XXX +/-	FRACTION		+/-	AHP-1200 DC SERIES STANDARD & ALTERNATE TE WIRING	
	DECIMALS	ANGLE										
	.XX +/-	+/-										
.XXX +/-	FRACTION											
	+/-											
MATERIAL:	DRAWN BY: AA DATE: 01/15/07 D7050	DRAWING # SK080114	MASTER: SK060942									
		SCALE	SHEET									

Mounting, Monture, Montage, Montaggio

Enclosure, Armoire, Gehäuse, Armadi



Gasket, Joint, Dichtung, Guarnizione

Exhaust, Echappement, Abluft, Scarico

Cord, Cable, Cablo

Intake Air, Air d'entrée,
Einlaßluft, Aria di presa

Insulation, Isolazion,
Isolierstoff, Isolamento

Exhaust, Echappement, Abluft, Scarico

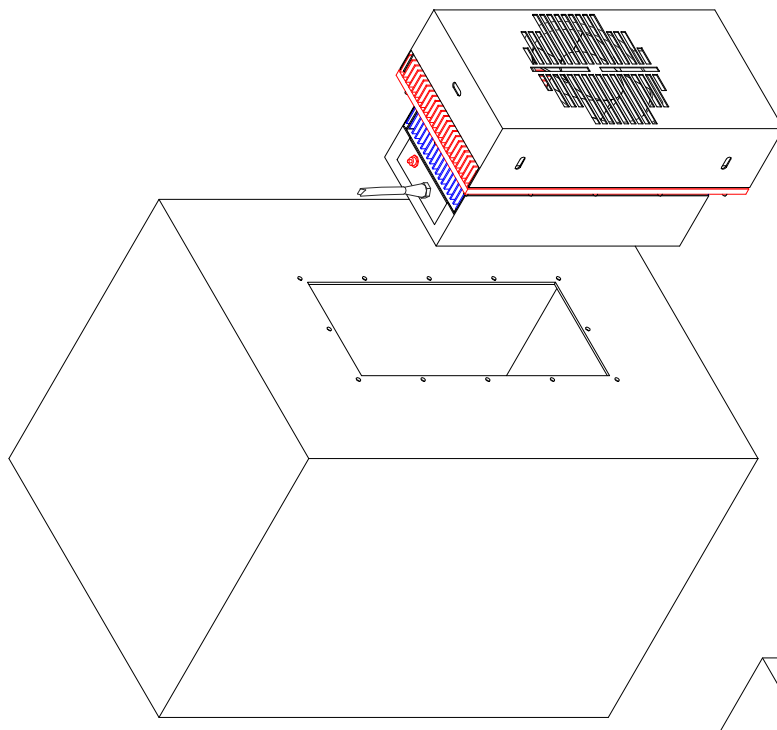
3.13 [79.38]

2.88 [73.15]

6.62 [168.15]

3.45 [87.68]
TYP.

Ø0.22 [Ø5.59]



Alternate, Alternative, Alternativa

English, Français, Deutsch, Italiano
Dimensions: Inches [Millimeters]

INFORMATION DISCLOSED
HEREIN IS THE
CONFIDENTIAL PROPERTY
OF TECA CORP. RECIPIENT
SHALL NOT USE THE
INFORMATION IN ANY
UNAUTHORIZED MANNER.
FINISH:

UNLESS OTHERWISE SPECIFIED
DIMENSIONS ARE IN INCHES
TOLERANCES ARE:

DECIMALS	ANGLE	+	-
.XX	±		
.XXX	±		
±	FRACTION		

MATERIAL:

THERMOELECTRIC COOLING AMERICA CORP.
AHP-1200 SERIES
TYPICAL FIELD MOUNTING

DRAWN BY: AA

DATE: 05/21/03

D6033

DRAWING #

1200-A-F57

SCALE

MASTER: MASTER

REV LEVEL

SHEET

APPROVED

Date

DESCRIPTION

REV

LIMITED WARRANTY

In the event a defect in material or workmanship is discovered in any of TECA's products within one year after the date they are delivered to Buyer, and if: (a) TECA is notified of the defect in writing by certified mail within 14 days of the date of discovery; (b) TECA may then either, at its sole discretion, inspect the product at Buyer's location, or require that the product be made available at Buyer's expense at TECA's premises for TECA's inspection within 14 days of the date of notification; and (c) the products are defective and the defects result from faulty materials and/or workmanship and not in any way from accident, misuse, misapplication, mishandling, modification, or alteration by the Buyer or the shipper, then TECA shall, at its sole option, repair or exchange defective products free of charge to Buyer, or credit to buyer the price of the defective products. ALL OTHER WARRANTIES, EXPRESS OR IMPLIED, ARE EXCLUDED, INCLUDING BUT NOT LIMITED TO THE IMPLIED WARRANTIES OF MERCHANTABILITY AND FITNESS FOR A PARTICULAR PURPOSE. IN NO EVENT SHALL TECA BE LIABLE FOR ANY CLAIM BASED UPON BREACH OF EXPRESS OR IMPLIED WARRANTY OR ANY OTHER DAMAGES WHETHER SPECIAL, INDIRECT, INCIDENTAL, CONSEQUENTIAL, LOST PROFITS, BUSINESS INTERRUPTION, OR LOSS OF BUSINESS OR CUSTOMER RELATIONSHIPS.

RETURNED GOODS, RESTOCKING CHARGES

In order to return merchandise for any reason (repair, replacement, or credit) a return authorization number must be issued by TECA. New merchandise may not be returned for credit beyond 60 days from shipment. Charges for incidental or other damages may also be made. All returned goods must be sent freight prepaid. A restocking charge of 15% will apply. On special equipment and custom modified equipment orders, additional incremental cancellation charges may be made.